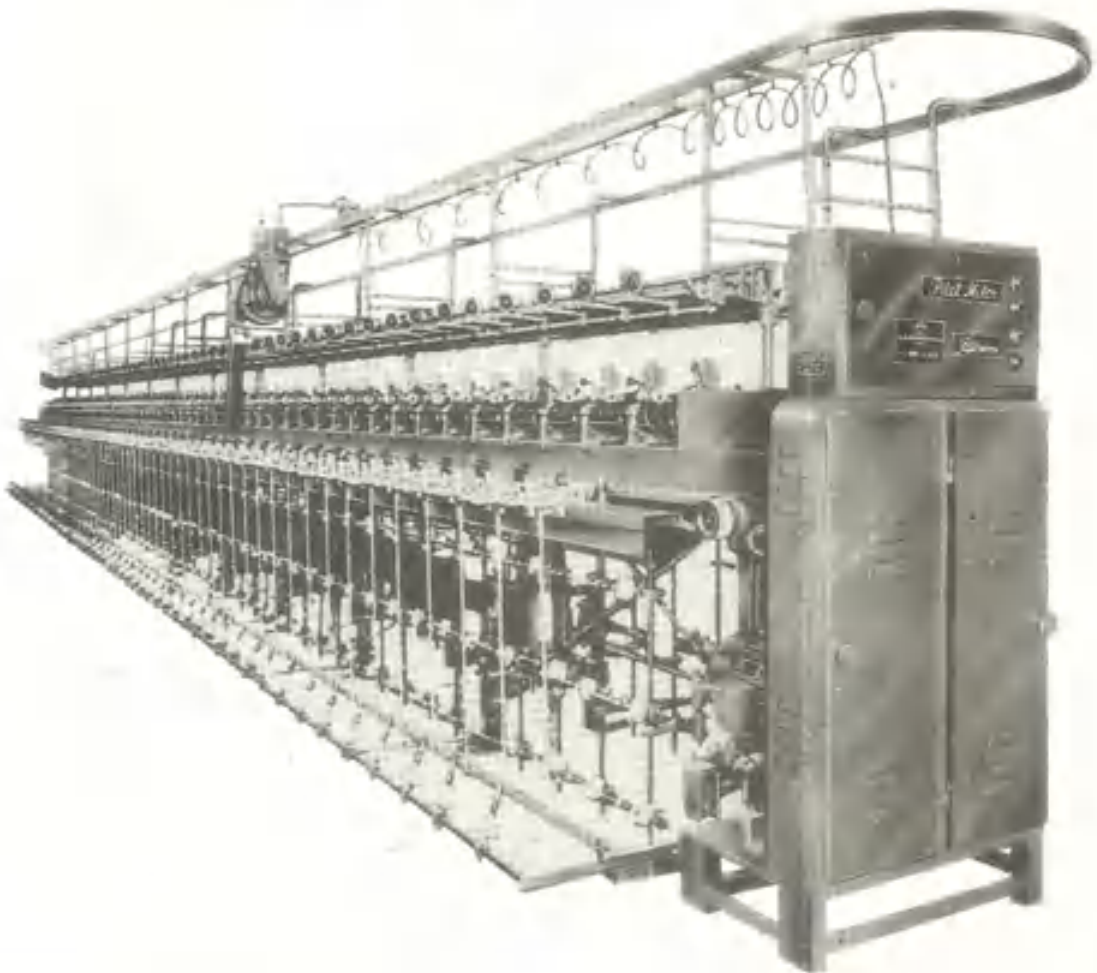




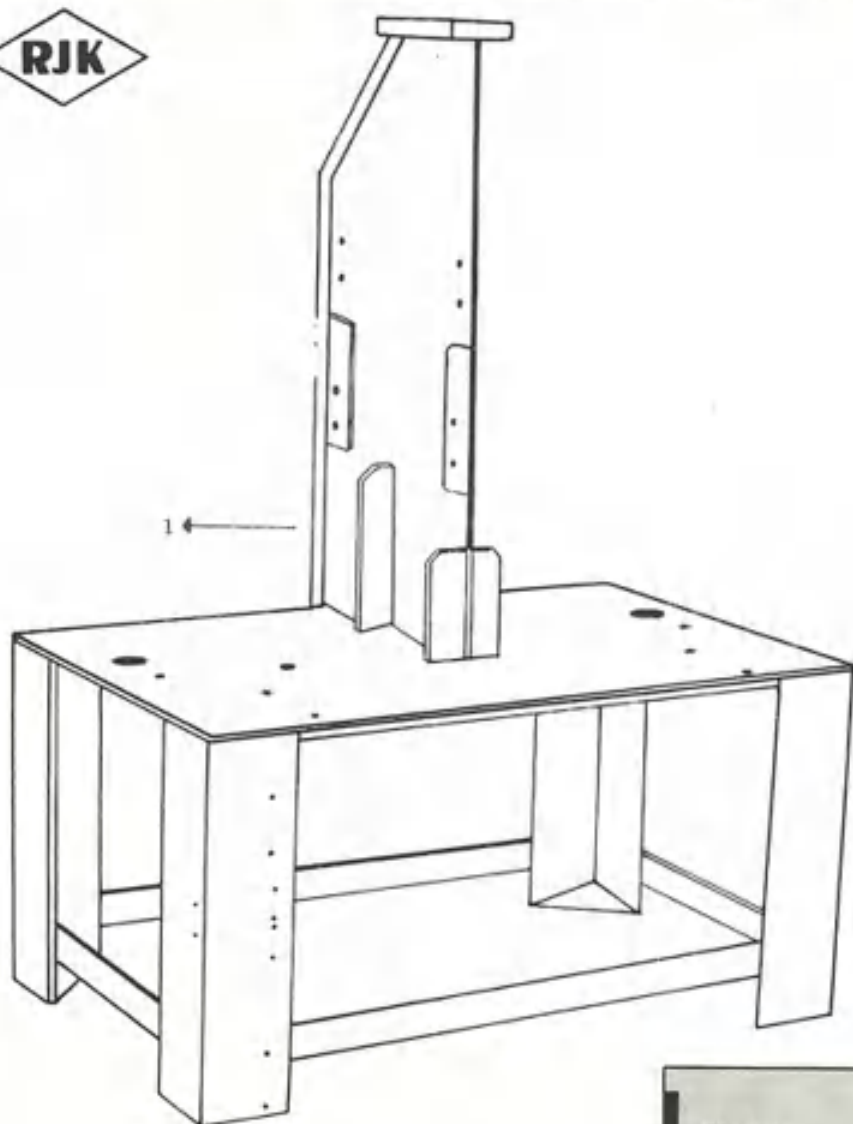
**High Speed
Doubler / Parallel
Winding Machine**



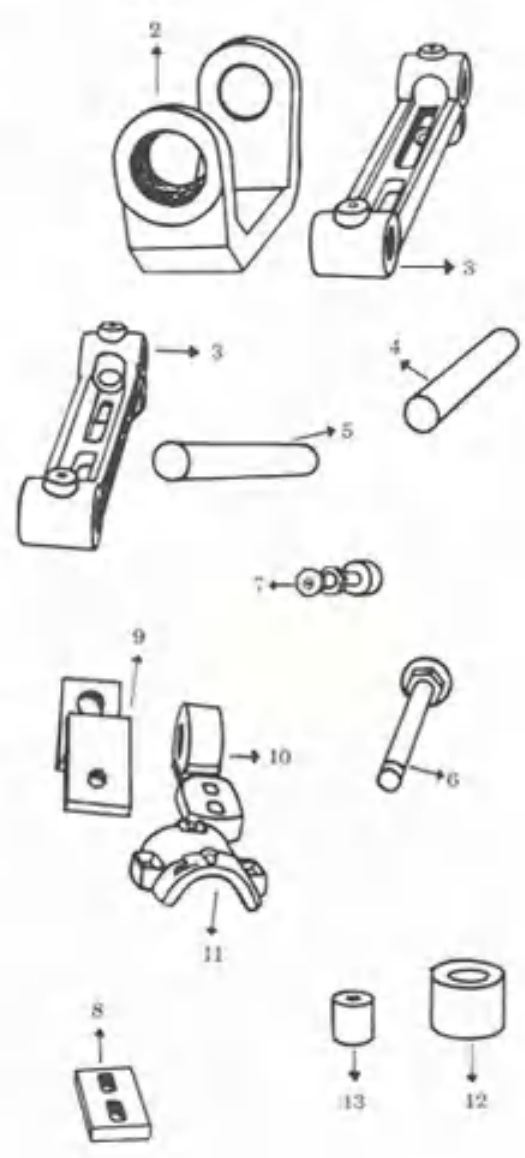
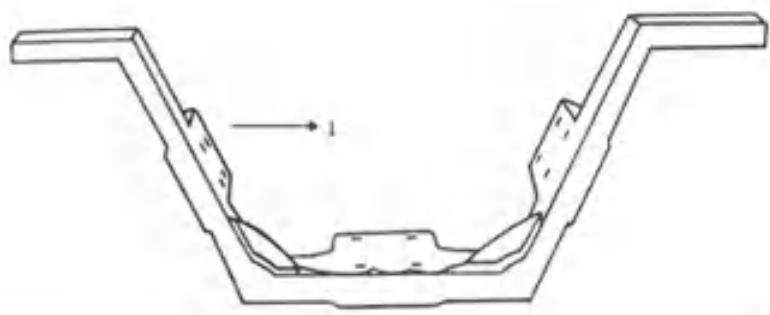
HIGH SPEED
DOUBLER/PARALLEL
WINDING MACHINE



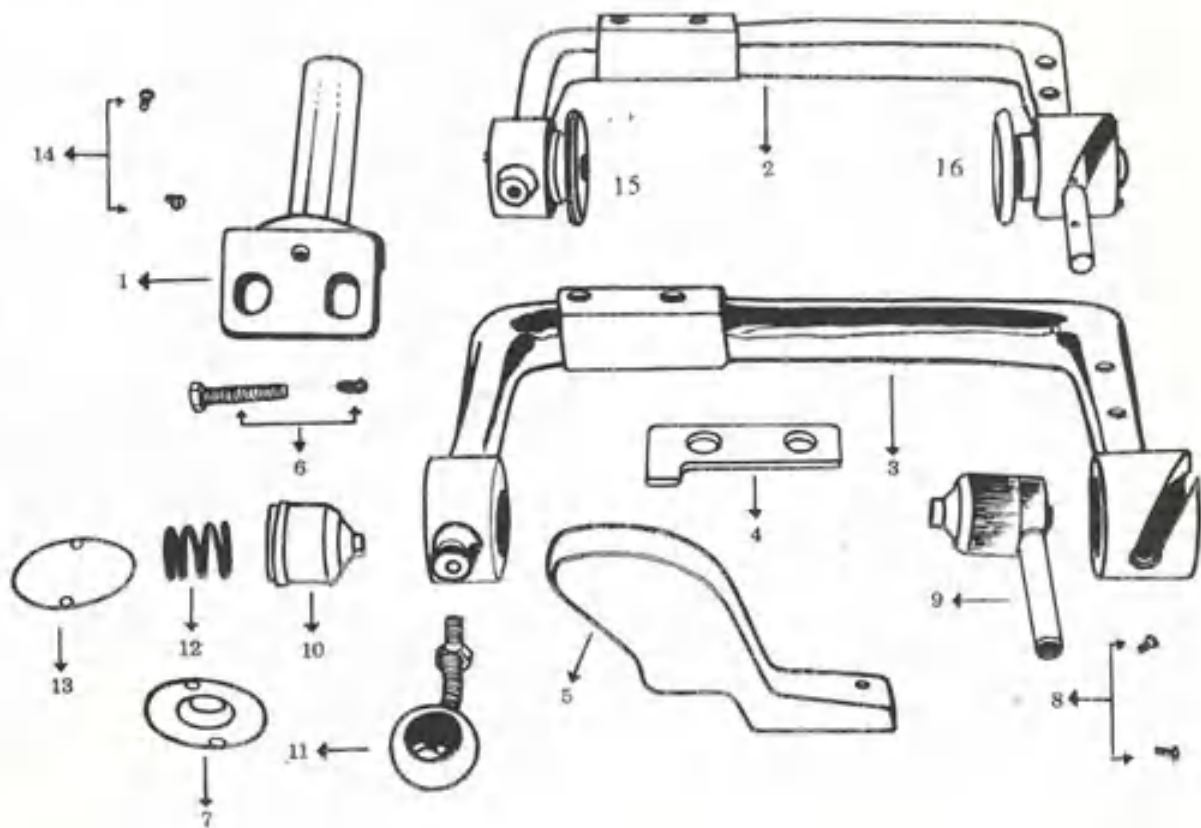
RJK



(1) Base



- (1) Base Bkt.
- (2) Shaft Bkt.
- (3) Motor Rail : 85-115-4
- (4) Motor Rail Shaft (Outer Side) : RMP-125
- (5) Motor Rail Shaft (inside) : RMP-125
- (6) Adjusting Screw : RMP-2650
- (7) Adjusting Pin : RMP-176
- (8) Supply Flat Small (ESM)
- (9) Supporting Bkt. : 127
- (10) Motor Rail Bkt.
- (11) Alu. Bearing Cap. : 85-544
- (12) Adjusting Screw Collar
- (13) Motor Rail Knob



(1) Cradle Holder : 85-41-18

(2) Cradle : 85-72-98x (TFO)

(3) Cradle only : 85-72-98x

(4) Lock Clamp : 85-671

(5) Weight : 85-89-13x

(6) Pin & Washer for Weight : 85-89

(7) Pivot Cover R.H. : 85-27A

(8) Pivot Cover Screw : 85-274

(9) Pivot R.H. : B.B. R-7 : 85-271

(10) Pivot L.H. : B.B. R-7 : 85-271

(11) Cradle handle with knob.

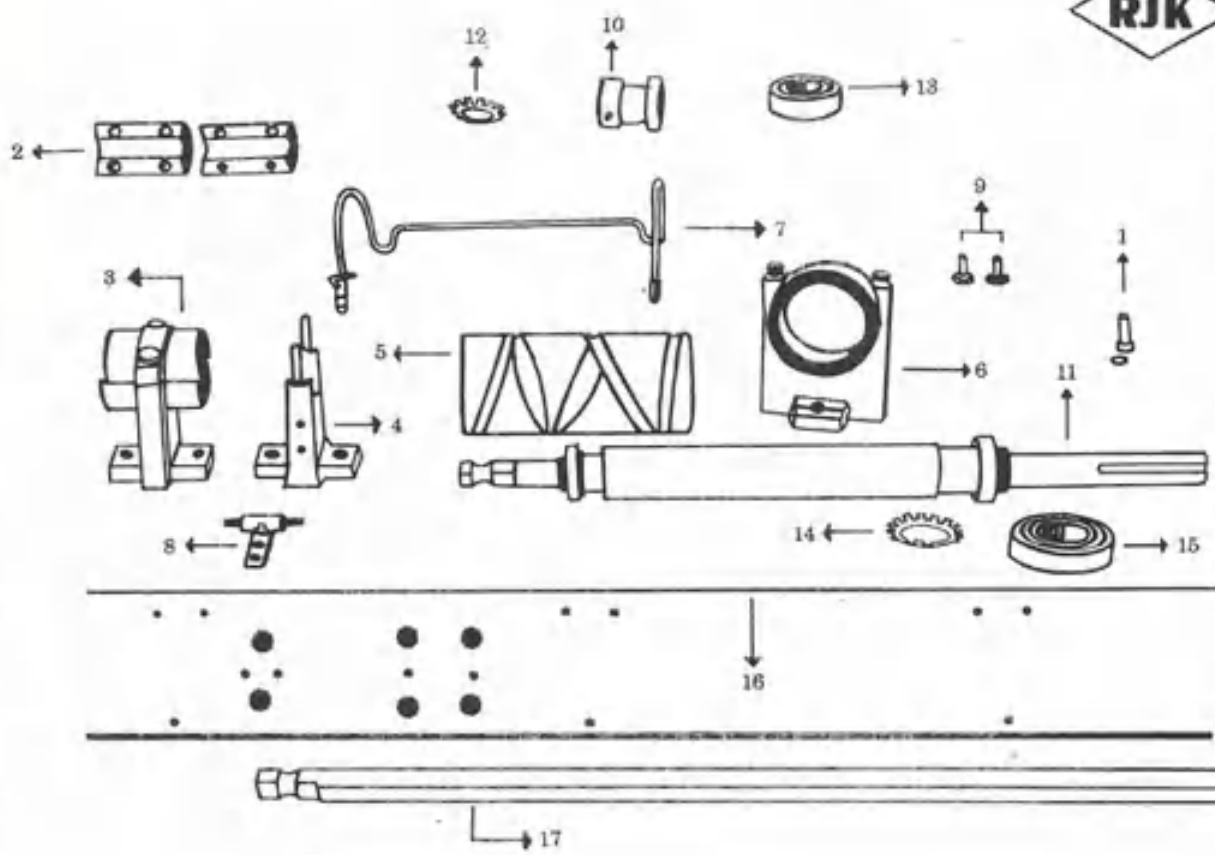
(12) Compression Spring : 85-273

(13) Pivot Cover L.H. : 85-27B

(14) Pivot Cover Screw : 85-274

(15) Pivot L.H. B.B. R7 - T.F.O.

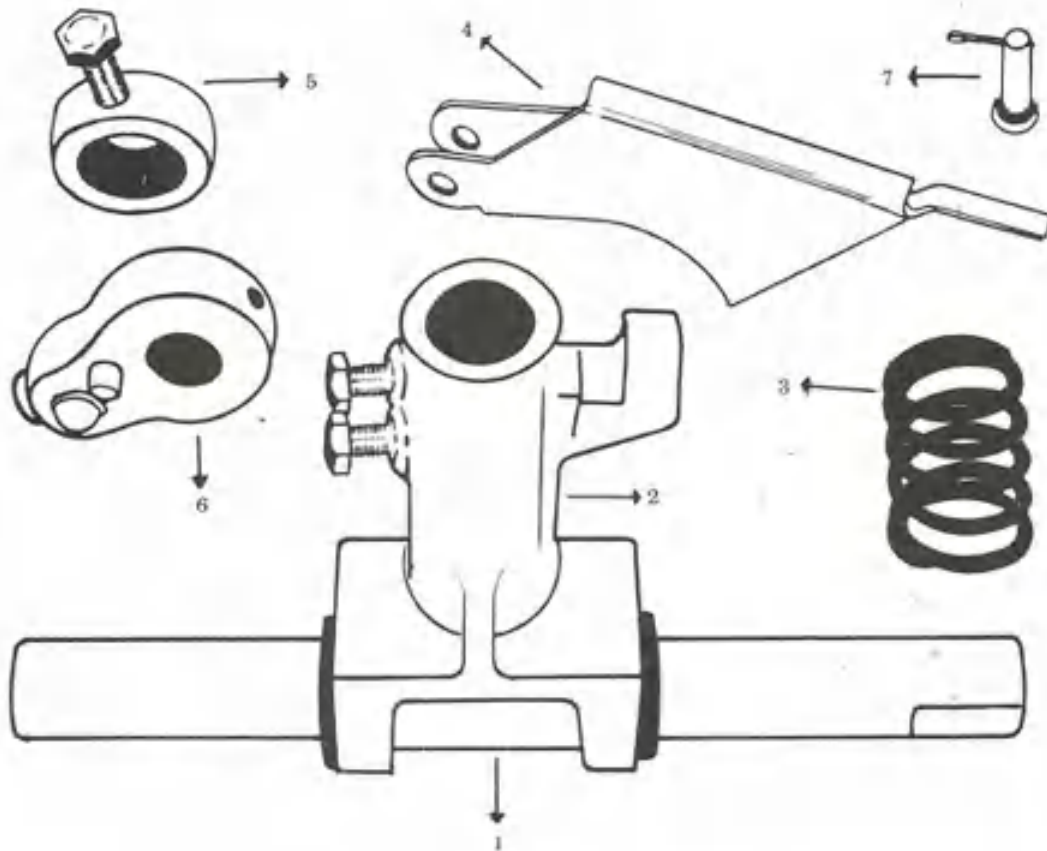
(16) Pivot R.H. B.B. R7 - T.F.O.



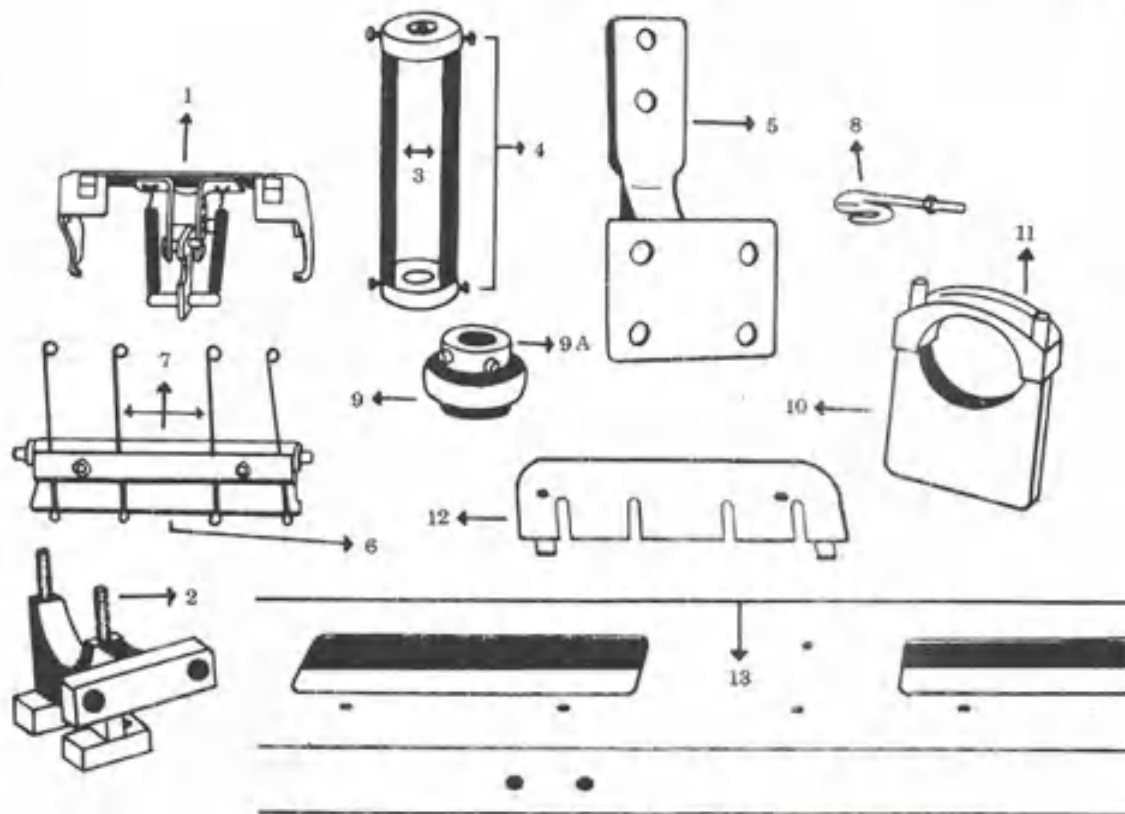
- (1) Coupling Screw & Washer : 35A-940
- (2) Coupling for D. Shaft : 85-A-939(2)
- (3) D. Shaft Pedestal : 85-78XY with Cap
- (4) D. Shaft Pedestal : 85-78XY Old
- (5) Bakelite Drum : 85-5140X
- (6) Double B. B. Padd. : 85-79-4
Pedestal for G. Box D. Shaft
- (7) Yarn lifting wire
- (8) T. Bkt. : 85-80
- (9) Pin & Washer for 'T' Bkt. 85-80-2XY
- (10) Ball Bearing Sleeve MDP-119

- (10-A) B.B. Sleeve Nut : MDD-120
- (11) Gear Box D. Shaft : 85-65-3
- (12) Washer Small : 1304
- (13) B.B. 6205 ZZ
- (14) Washer Big : 1302
- (15) B.B. 6207 ZZ
- (16) Angle M.S. : 85-40-15
- (17) Traverse Shaft 100° : 85-54-3

RJK



- (1) Centre Shaft : 85-52-15
- (2) Bearing Assly. : 85-43-15X
- (3) Spring for B. Assly. : CS-85-772
- (4) Cam Plate : 85-276
- (5) 38 MM Collar for B. Assly. : 86-44-4 X
- (6) Lock lever housing
- (7) Pin for Cam Plate : 85-277



(1) Swing Plate Housing comp. : 85-265

(2) Joining Pedestal : 85-77-3

(3) Stop Motion Patti

(4) Stop Motion Collar

(5) Joining Bkt. : 85-290

(6) Swing Plate : 85-268

(7) Drop Wire : 85-269

(8) Hook Wire with Ceramic eye : 85-267

(9) B.B. 6205 ZZ with Sleeve & Nut

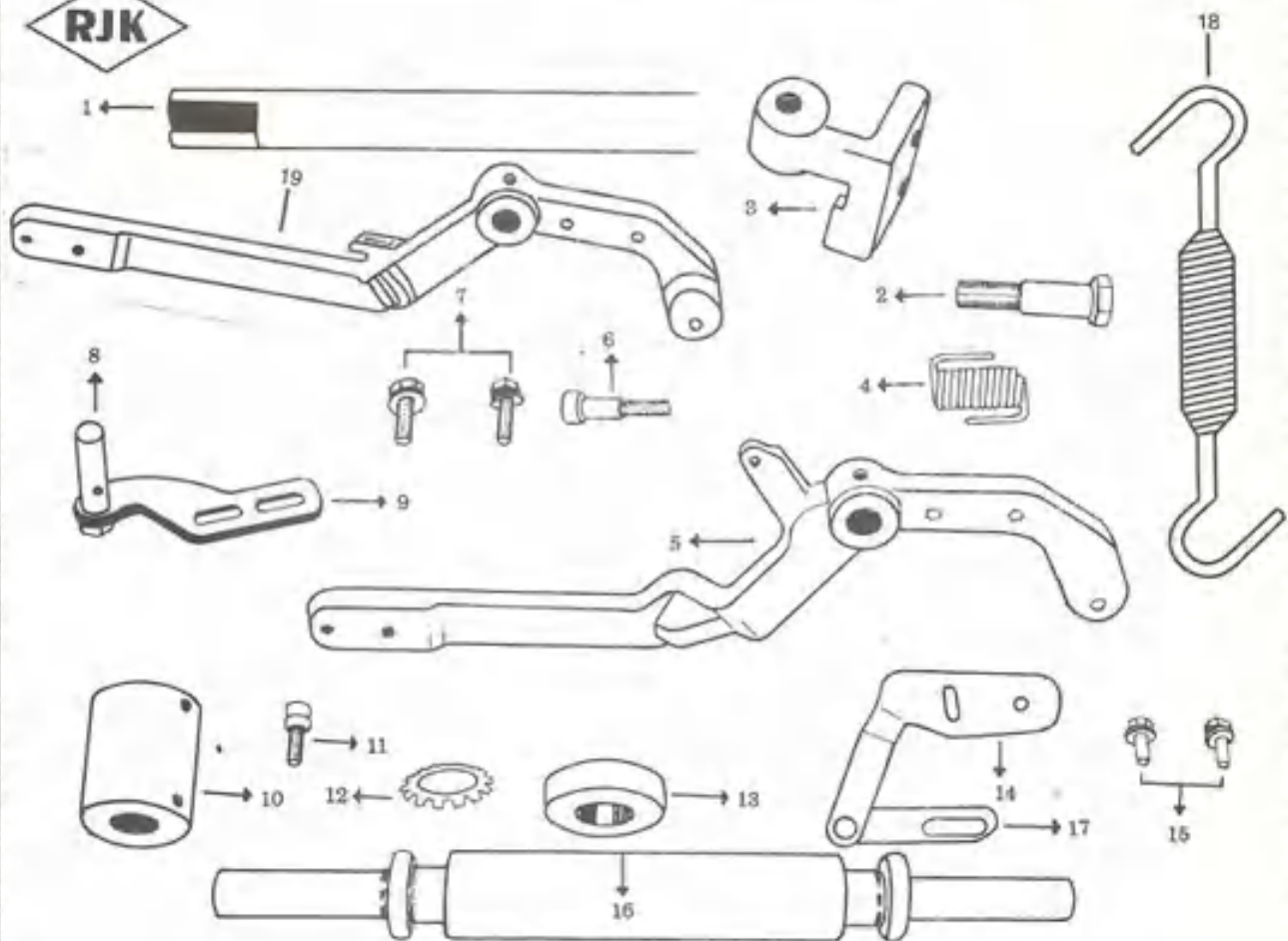
(10) Stop Motion Paddesttle

(11) Bearing Cap : 85-544-XY

(12) Swing Plate Cover : 85-266

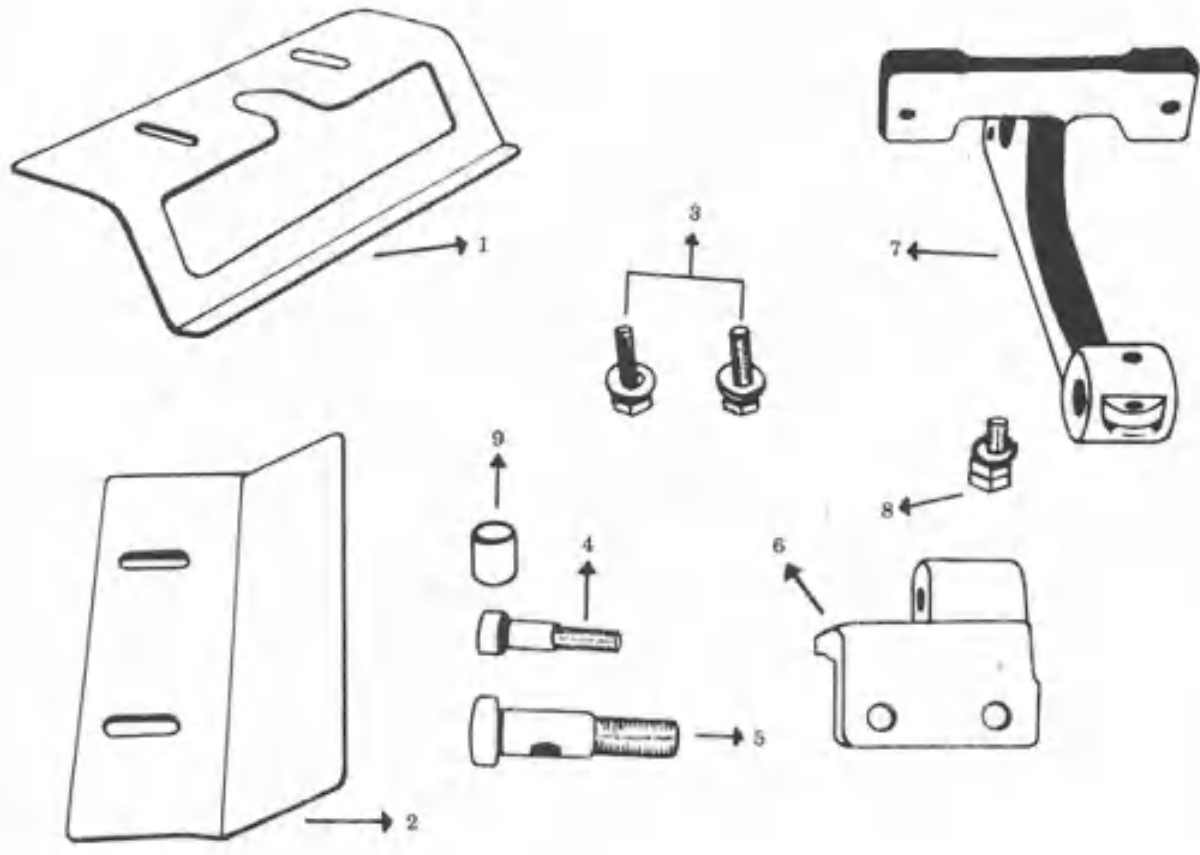
(13) Channel : 85-103-2X

RJK



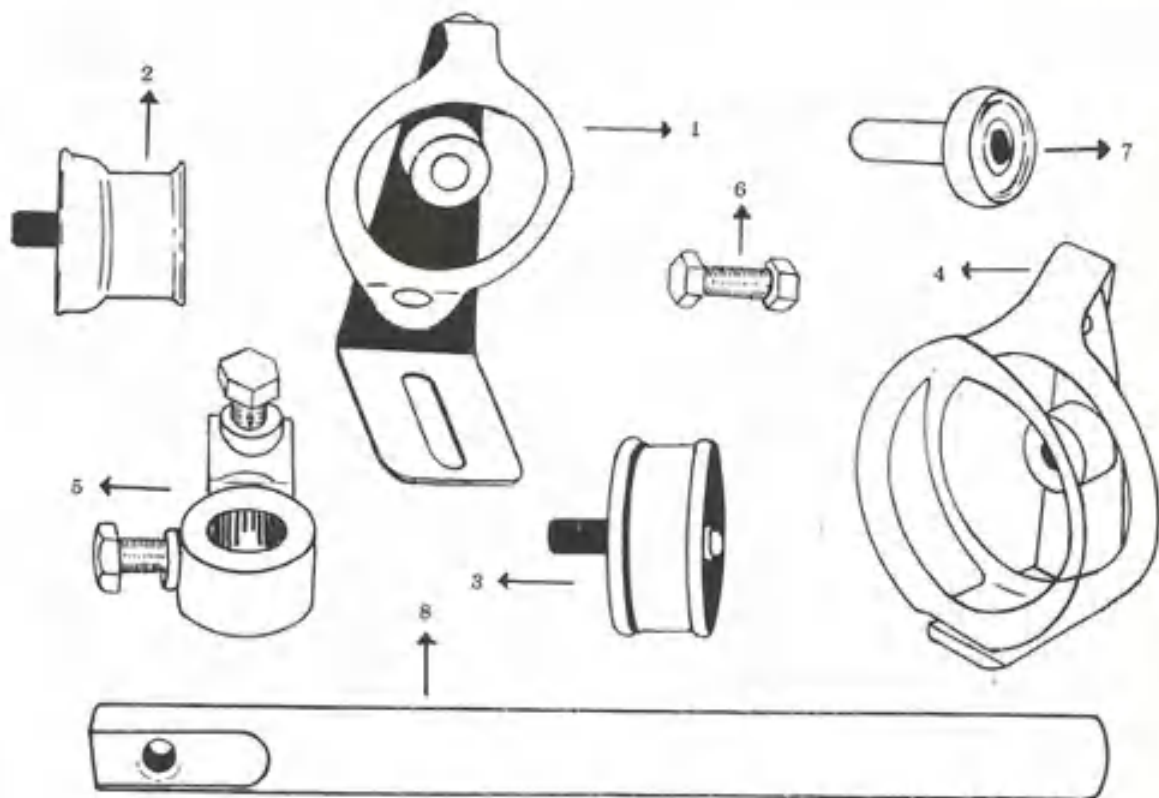
- (1) S.M. Shaft 100" Long-85-65-3XY
- (2) 16 MM Pin : 85-288
- (3) Stop Motion Bkl. 85-1475
- (4) Spring for S.M. lever Spring (S.S.) 85-1485 (Old)
- (5) Stop Motion lever : 85-33-7C3 (Old)
- (6) Pin : 85-287
- (7) Pin & Washer
- (8) Lock Pin : 85-1470-18X
- (9) Lock Pin Clamp : 85-1470

- (10) Stop Motion Coupling : 85-1039
- (11) Allen Pin with nut
- (12) Star washer
- (13) B. B. 6205 ZZ
- (14) Clamp for Yarn Lifting Wire : 85-1484
- (15) Pin & Washer
- (16) Stop Motion Shaft : 85-54-3AB
- (17) Lever for Yarn Lifting Wire : 85-1483
- (18) 85-1485 Spring for Stop Motion Lever (Improved)
- (19) Stop Motion Lever : (New)

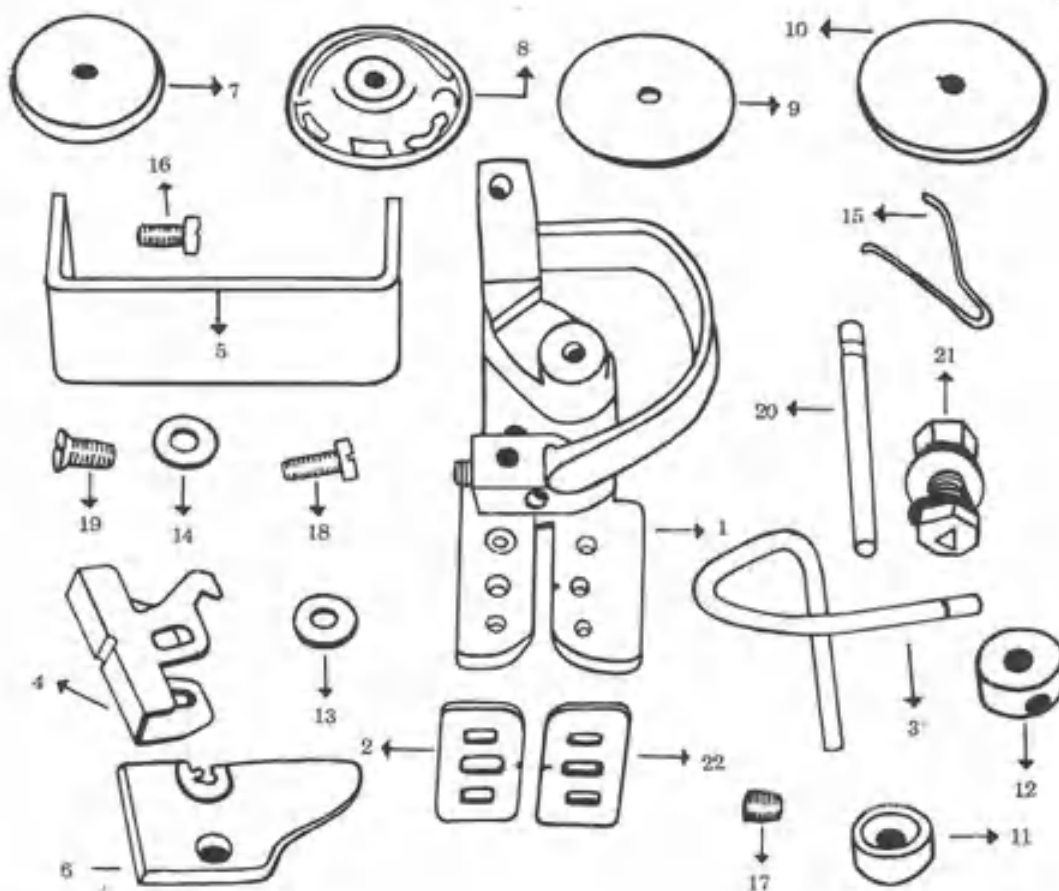


- (1) Upper Brake Plate : 85-283A
- (2) Lower Brake Plate : 85-283
- (3) 6 MM Pin & Washer : 85-284
- (4) Roller Pin : 85-287
- (5) 16 MM Pin : 85-288
- (6) Brake Lever Bkt. : 85-285
- (7) Brake Lever : 85-282
- (8) Setting Pin : 85-289
- (9) Roller Nylon : 85-286

RJK



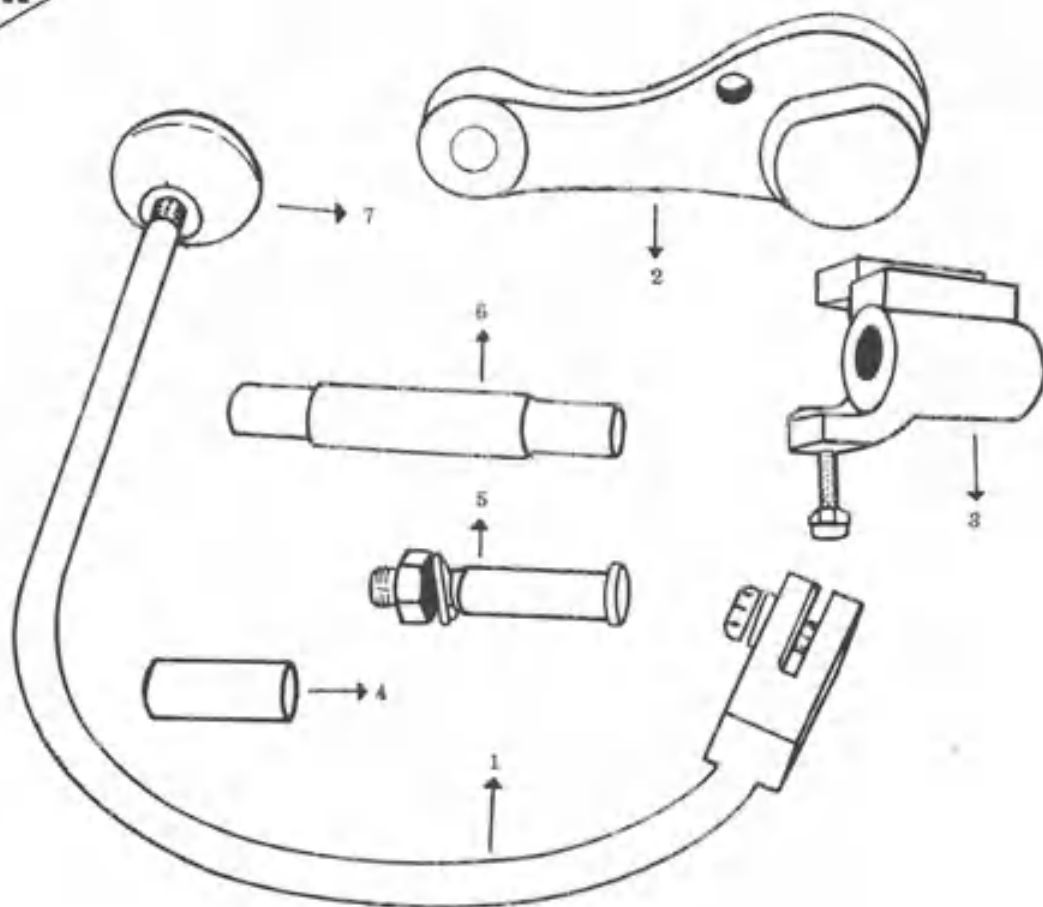
- (1) Lower Guide Pulley Housing : 85-1438
- (2) Lower Guide Pulley : 85-1444
- (3) Upper Guide Pulley : 85-1440
- (4) Upper Guide Pulley Housing : 85-1437
- (5) Upper Guide Pulley Bkt. : 85-1456
- (6) Pin & Nut & Washer for 15 MM Holding Bar : 85-1468
- (7) B.B.R.-7 with stud for Upper & Lower Guide Pulley : 85-1450
- (8) 15 MM holding Bar for Upper Guide Pulley : 85-1460



- (1) Tension Bkt. : 85-420-50
- (2) Blade R.H. : 85-1490ZC
- (3) Upper Bail Wire : 85-419
- (4) Gauge Washer : 85-409
- (5) Clamp
- (6) Thread Guide : 85-410
- (7) Flannel Washer
- (8) Tension Disc : 85A-153-17
- (9) Green Weight - 12 Grms
- (10) Yellow Weight - 24 Grms
- (11) Tension Collar : 85-475-2

- (12) Tension Lock Collar
- (13) Washer for Small Screw : 85-1611
- (14) Washer for Big Screw : 85-1609
- (15) Spring : CS-85-508
- (16) Small Screw for Blade : 85-1610
- (17) Lock Screw for St. Pin : 85-1600
- (18) Big Screw for Blade : 85-1605
- (19) Screw for Thread guide Plate : 85-1615
- (20) Tension Disk Pin : 85A-202-13
- (21) Pin, Nut & Washer for Tension Bkt. : 85-1619
- (22) Blade L.H. : 85-1490

RJK



(1) Starting Handle : 85-28-24x

(2) Balance Weight : 85-291

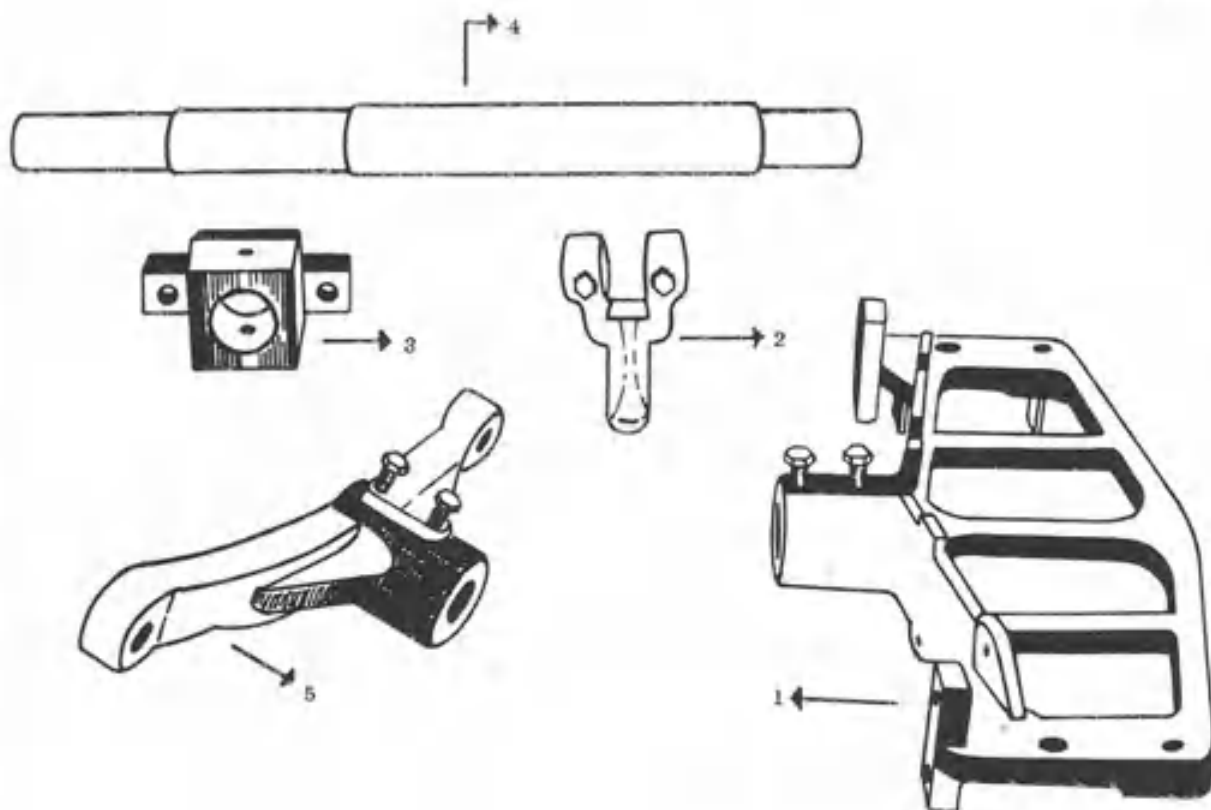
(3) Starting Handle Bkt. : 85-290

(4) Rollar for Balance Weight : 85-292A

(5) Pin, Nut & Washer for Balance Wt. :
85-292-2PN

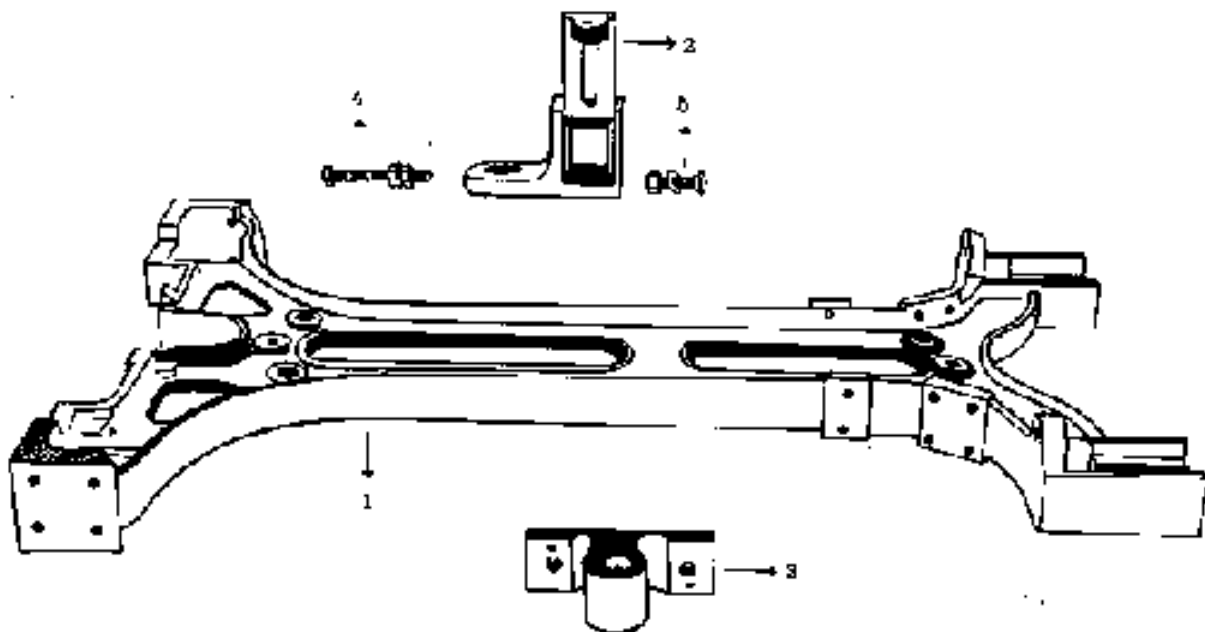
(6) Starting Handle lever Pin : 85-292

(7) Bakelite Knob : 85-32-7

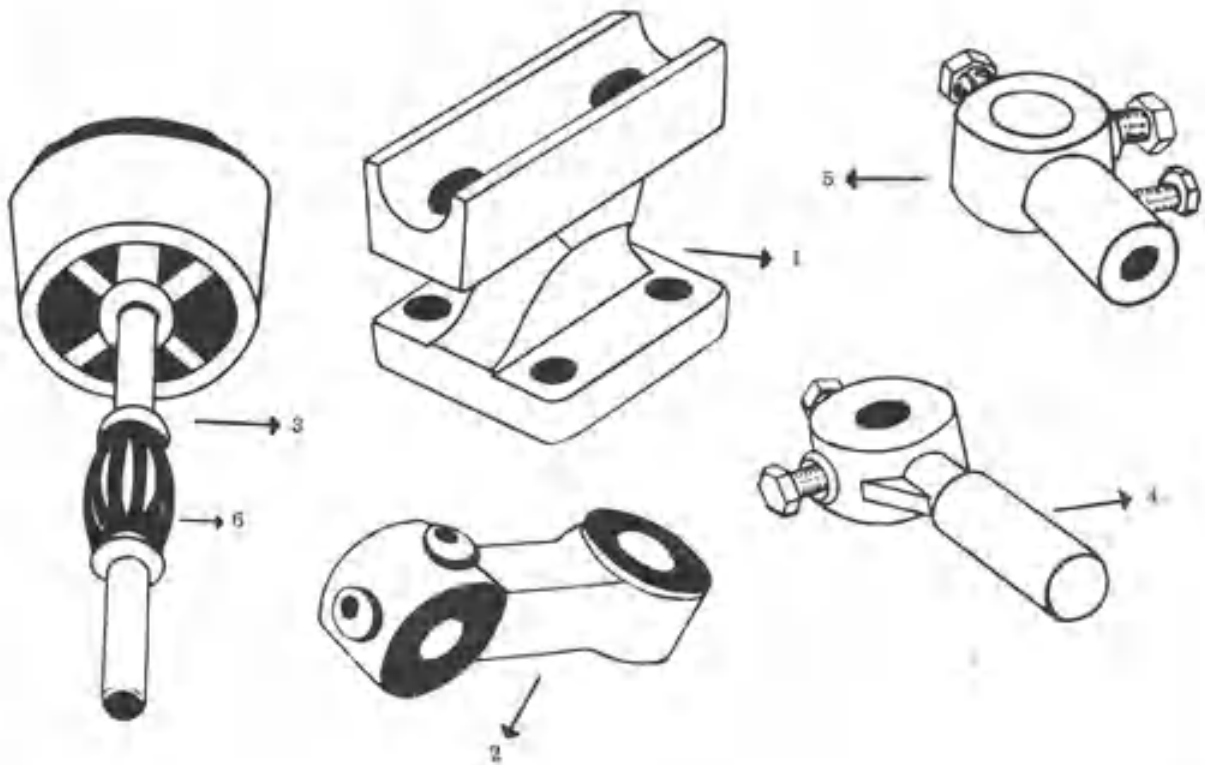


- (1) Shelves Bkt. : 85-282-8JA
- (2) Switch lever : 85A-181-3RE
- (3) Lock Shaft Bkt. : 85-1733
- (4) Shaft : 85-1700
- (5) Foot Bkt. : 85-233-2JA

RJK

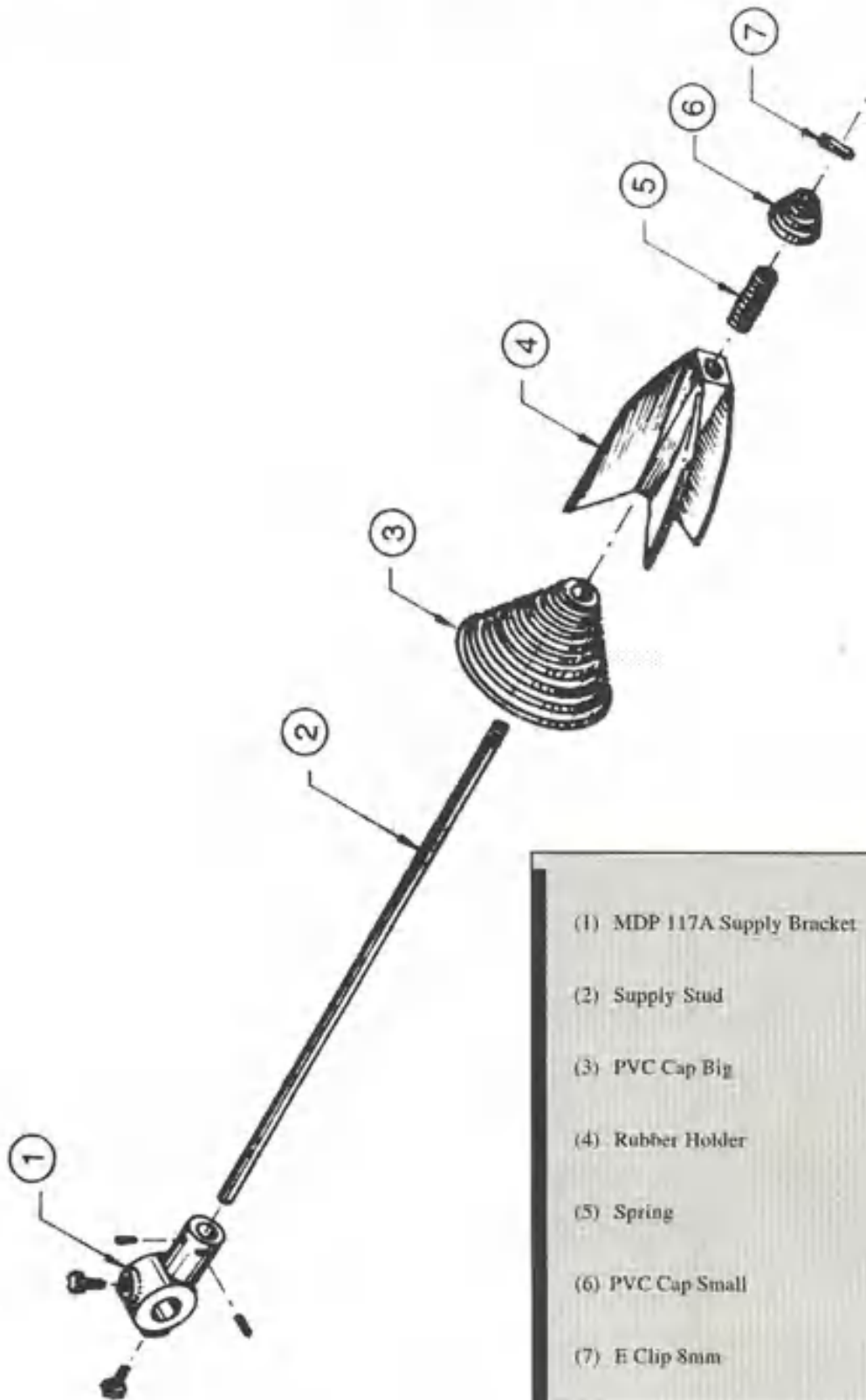


- (1) Leg : 85-38-2X
- (2) Leg Adjuster R.H. : 85-39-1
OR L.H. (Small) : 85-39-2
- (3) Center Shaft Bkt. : 85-40XY
- (4) Pin, Nut & Washer for Adj. Leg : 85-39
- (5) Bolt, Nut & Washer for Joining legs



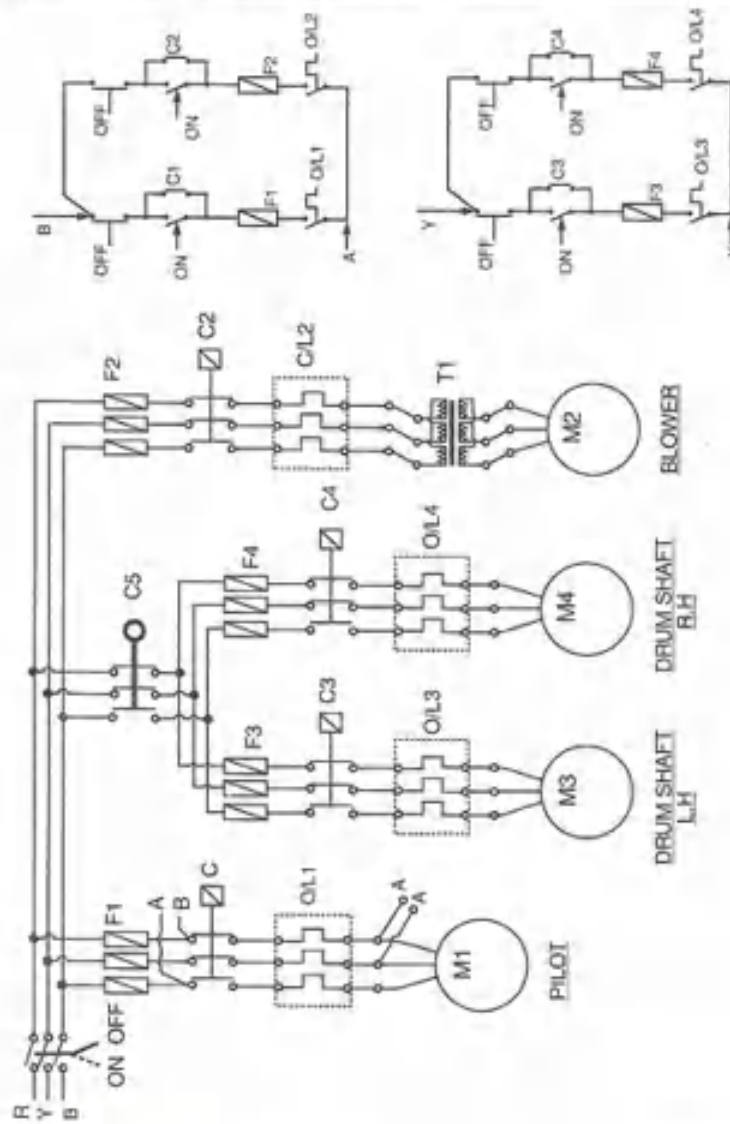
- (1) Supply Bkt. for leg
- (2) Combined Bkt. : RMP-112/113
- (3) Supply Spindle with Nylon Peg : RMP-116
- (4) Supply Stud Bkt.
- (5) Supply Bkt. Small : RMP-117
- (6) Balloon Spring

REWINDING SUPPLY



- (1) MDP 117A Supply Bracket
- (2) Supply Stud
- (3) PVC Cap Big
- (4) Rubber Holder
- (5) Spring
- (6) PVC Cap Small
- (7) E Clip 8mm

DOUBLER WINDER MACHINE

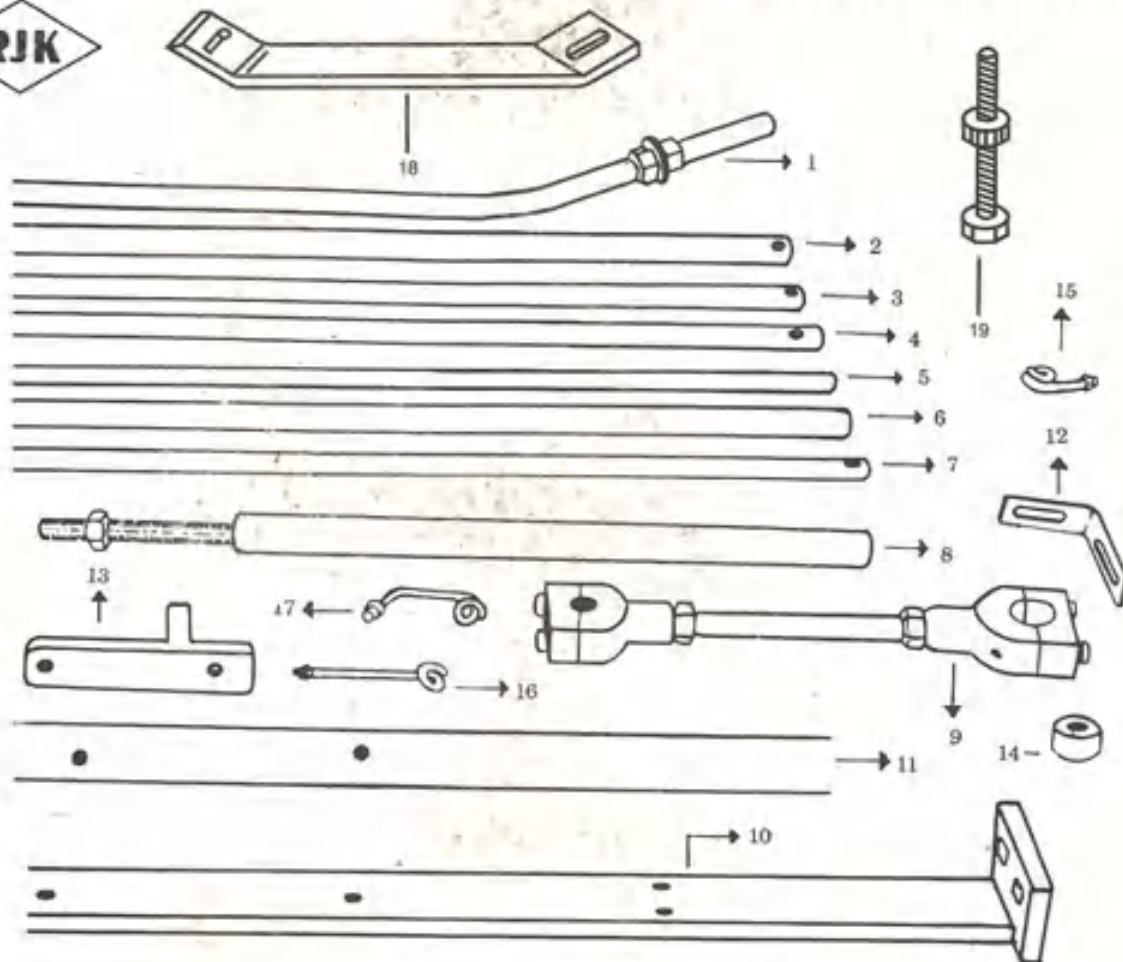


S1	MAIN SWITCH 25A (ROTARY ON-OFF SWITCH)
PILOT MOTOR	
M1	ELECTRIC MOTOR
C1	AIR BREAK CONTACTOR 16 A
O/L1	OVER LOAD RELAY
F1	BOTTLE FUSE 6 A
BLOWER	
M2	1.0 H.P. ELECTRIC MOTOR
C2	AIR BREAK CONTACTOR 16 A
O/L1	OVER LOAD RELAY 1.07 TO 1.7 A
F2	BOTTLE FUSE 6 A
T-1	STEP-DOWN TRANSFORMER 380V, 400V, 415V, 440V/110V, 1KVA
DRUM SHAFT	
M3 & M4	ELECTRIC MOTOR
C3 & C4	AIR BREAK CONTACTOR 16 A
O/L 3	OVER LOAD RELAY
O/L 4	OVER LOAD RELAY
C5	RJK ANTI PATTERNING DEVICE

ELECTRICAL DIAGRAM

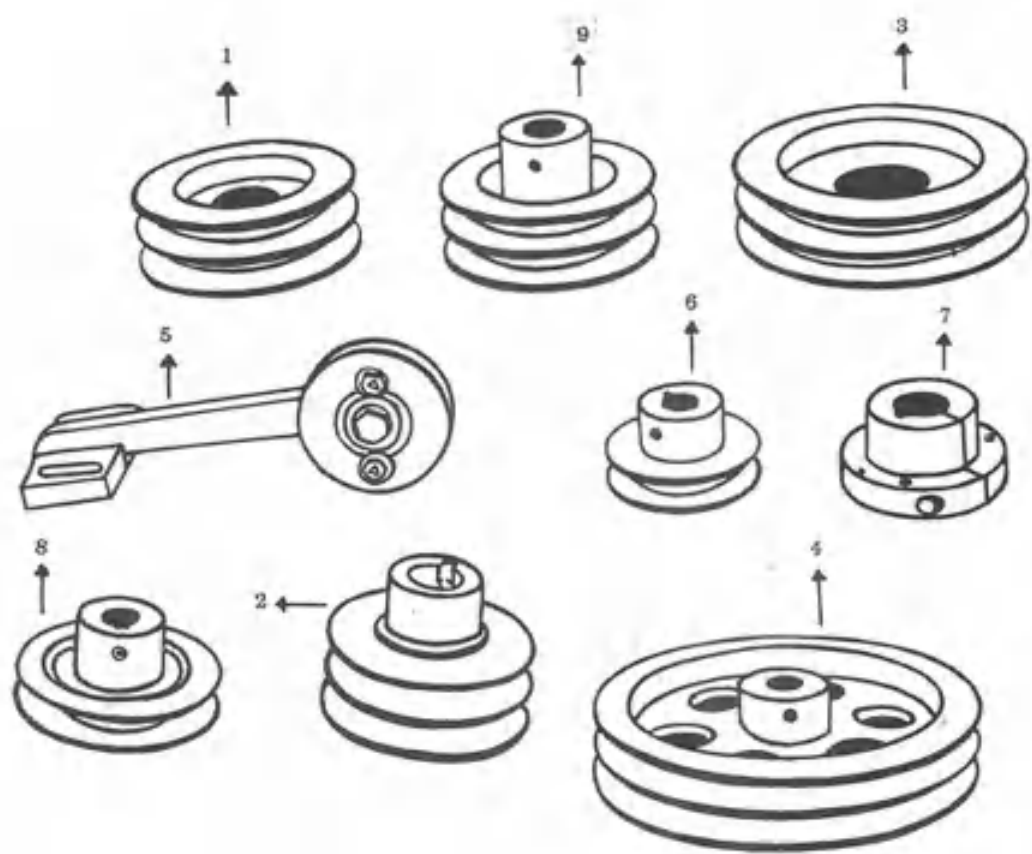


RJK

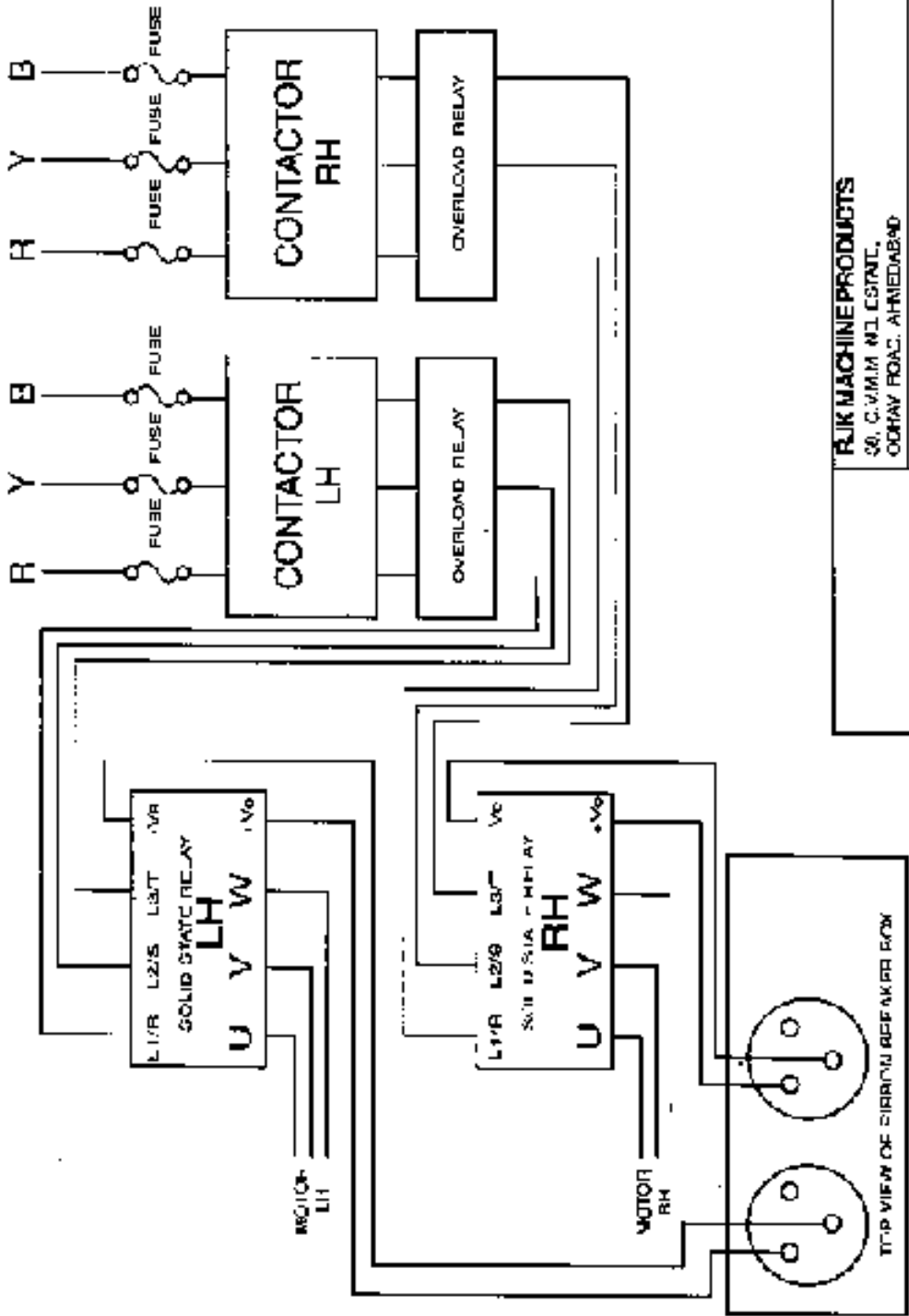


- (1) Tie Rod
- (2) Supply Shaft 49 7/8" 85-118
- (3) Cradle Lock Shaft
- (4) Guide Bkt. Holding Shaft. 85-500-20
- (5) Stopping Rod 85-265-8
- (6) Supply Shaft 15 mm
- (7) Balloon Breaker Bkt. Shaft 85-262
- (8) Support Shaft
- (9) Support Bkt. Assy. 85-270

- (10) Supply Flat
- (11) Balloon Shaft Angle
- (12) Clamp
- (13) Balloon Breaker Bkt. 85-261
- (14) Balloon Wire Collar 85-264
- (15) Balloon Wire Small
- (16) Balloon Wire Big 85-263
- (17) Balloon Wire Bend With Double Nut
- (18) Supply Support Flat
- (19) Bolt With Nut



- (1) Motor Pulley - 450 YPM (130 mm Ø)
- (2) Motor Pulley - 350 YPM (100 mm Ø)
(24 mm Hole / 28 mm Hole)
- (3) Motor Pulley - 550 YPM (170 mm Ø)
- (4) Stop Motion Shaft Pulley Big 9" Ø
- (5) Idle Pulley with Bkt.
- (6) Stop Motion Shaft Pulley Small 3" Ø
- (7) Taper Bush for Motor Pulley
(24 mm Ø / 28 mm Ø)
- (8) Stop Motion Shaft Pulley Medium 4" Ø
- (9) Traverse Pulley 'B' (125 mm Ø)



RJK MACHINE PRODUCTS
 30, C. V. RAM. N. L. COLONY,
 COOTAY ROAD, AHMEDABAD

WIRING DIAGRAM OF ELECTRONICS RIBBON BREAKER

SIZE A	FORM NO.	DWG NO. APD 1.	REV
SCALE	SHIFT		SHIFT







ELECTRONICS RIBBON BREAKER

Electronics Ribbon Breaker is designed with latest microcontroller & individual SSR (Solid State Relay) for each motor

This unit consist of

- * Control box &
- * SSR - 2 Pcs.

KEY

-  Function Key.
-  Up Key - A Selected number can be increased to the next possible value
-  Down Key - A Selected number can be decreased to the next possible value
-  Confirmation Key.

CYCLE & TIME SETTING

- Cycle : 20 to 40 / min.
- Off Time : 5 to 50 % of Cycle period

C 32

Example : Set cycle 28 & off time 40%

Press **F** Key

E 30

Press **↑** Key until set value is equal to 40

E 40

Press **F** Key

c 32

Press **↓** Key until set value is equal to 28

c 28

Press ***** Key for the confirmation of new set values.

CYCLE PERIOD & OFF - TIME CALCULATION

Ex: Cycle (c) = 30 & off - time (t) = 25%

1 Cycle period = $60/c = 60/30 = 2$ Sec.

Off time (t) = $25 * 1 \text{ cycle period} / 100$

= $25 * 2 / 100$

= 0.5 Sec.

INSTRUCTION FOR DOUBLECHEESE WINDER

RIK

WHAT TO CHECK FIRST IN CASE OF TROUBLE

FAULT	POSSIBLE CAUSE	REMEDY	
(1) SINGLE THREAD GOING IN CHEESE	(a) DROP WIRE :	DROPPED WIRE IS BENT AND DOES NOT MOVE FREELY IN SWING PLATE OR IT TOUCHES SWING PLATE COVER	
	(b) STOP MOTION : LEVER LOCK PIN		LOCK PIN DOES NOT REST ON THE EDGE OF SWING PLATE HOUSING CLAMP
	(c) SWING PLATE :	JAMMED IN SWING PLATE HOUSING	STRAIGHTEN THE DROP WIRE BY HAND OR REPLACE IT. SET RIGHT LOCK PIN IN SUCH WAY THAT IT DISENGAGE STOP MOTION LEVER WHEN DROP WIRE FALLS MAKE IT MOVE FREELY BY ENSURING SOME PLAY.
(2) BRAKE IS NOT EFFECTIVE EVEN THOUGH STOP MOTION IS EFFECTIVE	(a) STOP MOTION LEVER SPRING BECOME LOOSE		REPLACE SPRING
	(b) BRAKE PLATE IS NOT SET PROPERLY		SET IT RIGHT
	(c) CAM PLATE IS JAMMED OR BENT		CHECK FREE MOVEMENT OF CAM PLATE OR REPLACE IT IF BENT
(3) BELL SHAPED PACKAGE	(a) PIVOT JAMMED		CHECK IF YARN WOUND ON PIVOTS
	(b) CHECK NUT OF BEARING HAS BECOME LOOSE		OPEN THE PIVOT COVER & TIGHTEN BEARING CHECK NUT
	(c) PIVOT BEARING IS JAMMED		OPEN THE SEAL COVER OF BEARING. CLEAN IT WITH KEROSENE & REFILL FRESH LOOSE GREASE TO LUBRICATE
	(d) EXCESSIVE WEIGHT ON TENSION		REDUCE TENSION WEIGHT
	(e) UPPER/LOWER GUIDE PULLEY IS JAMMED		REMOVE YARN WOUND ON PULLEYS OR CLEAN BEARINGS WITH KEROSENE & REFILL FRESH GREASE USE CONE SETTING GAUGE FOR PROPER SETTING
	(f) ALIGNMENT OF CRADLE NOT PROPER		
(4) TRAVERSE IS NOT PROPER	(a) IMPROPER ADJUSTMENT OF LOWER OR UPPER GUIDE PULLEY		RESET THE GUIDE PULLEY
	(b) SCRATCHES/DAMAGE ON DRUM		REPLACE DRUM
(5) RIBBON WIND	(a) CAM SWITCH SETTING WRONG		OPEN OR CLOSE CAM OF RIBBON BREAKER
	(b) PIVOTS OR BEARING JAMMED		FOLLOW INSTRUCTION 3 (a) & 3 (c) AS ABOVE
(6) BULGING	(a) BEARING ASSEMBLY IS JAMMED		LUBRICATE BEARING ASSEMBLY ON GIVEN OIL HOLES.
	(b) TOO MUCH TENSION ON YARN		REDUCE TENSION WEIGHT
(7) YARN DAMAGE DURING WINDING	(a) BRAKE PLATE &/OR CRADLE SETTING IS NOT PROPER		SET RIGHT

(1) CLEANING :

Always keep the machine absolutely clean. A clean machine better performs and shows higher efficiency.

- i) Remove every day, accumulated fluff by blowing compressed dry air on the machine. Fluff tends to accumulate especially at places like, Tension Device, Bearing Assembly, under the Bearing Cap, Swing Plate Cover, on the wire mesh cover of Electric Motor and Floor etc.
- ii) After oiling remove all the traces of excess oil remaining on the surface of the machine. This oil will otherwise help accumulation of fluff.
- iii) Remove yarn wound on Traverse Shaft, Pivot of Cradle, Upper Guide Pulley and Lower Guide Pulley and Stop Motion shaft.

2) OILING
i) Reduction Gear Box :

Maintain oil level in reduction Gear Box. Change the Oil after the first three months and then at every 12 months.

ii) Pivot Bearings and Upper Guide Pulley

No need of greasing or oiling is required as these bearings are double sealed. However if it becomes jam and not moving freely, open seal of bearings, clean with kerosene and refill new grease.

iii) No greasing and oiling is required in 6205 ZZ or 6207 ZZ Ball Bearings of traverse shaft and stop motion shaft as these are double sealed.
iv) BLOWER

Use mixture of oil and grease in Gears.

v) BEARING ASSEMBLY

Oil daily on given two holes.

vi) BRAKE LEVER

Oil daily on given hole.

vii) STARTING HANDLE BRACKET

Oil daily on given hole.

viii) MOTORS

Grease as recommended by the motor manufacturers.

ix) MAKE AND BREAK CONTACTOR

Oil and Grease using special lubricant once in a month, all the moving parts such as Studs where oil holes are provided.

MECHANICAL CHECKING

Make sure that :

- 1) There is no play between coupling and traverse shaft as well as coupling and stop motion shaft. Any play will ultimately result in breaking in of the shaft.
- 2) V belts are sufficiently but not over tightened.
- 3) drop wire is moving freely in Swing Plate.
- 4) The Wooden/Plastic tubes used are of correct dimensions.

ELECTRICAL CHECKING

This may carried out every week as under.

- i) First check and ensure that the voltage input from the mains is within 400-440 V. A. low input will damage motors.
- ii) Now remove THE CAM that operates M & B contactor. This will leave both this 3 H.P. motors running directly on mains supply. check the current output in all three phases.
- iii) If three phases are NOT balanced or if a phase is weak, check whether :
 - a) The fuse unit is burnt or blown out.
 - b) Terminal wire in panel is loose.
 - c) Motor connections are loose.
 - d) Contactors contacts/over load relay connections are loose.
- iv) If the three phases are balanced but show a current reading higher than normal, disconnect the motor from drum shaft (traverse shaft) and recheck the current in three phases.
- v) If the current is still high, the faults lie with the motor. If the current is now normal, it implies that drum shaft &/or stop motion shaft is overloaded.

For over load on drum shaft &/or stop motion shaft please check :

- a) Whether yarn is wound on any shaft.
- b) Whether Ball Bearings are burnt or damaged.

3) MISCELLANEOUS NOTES :

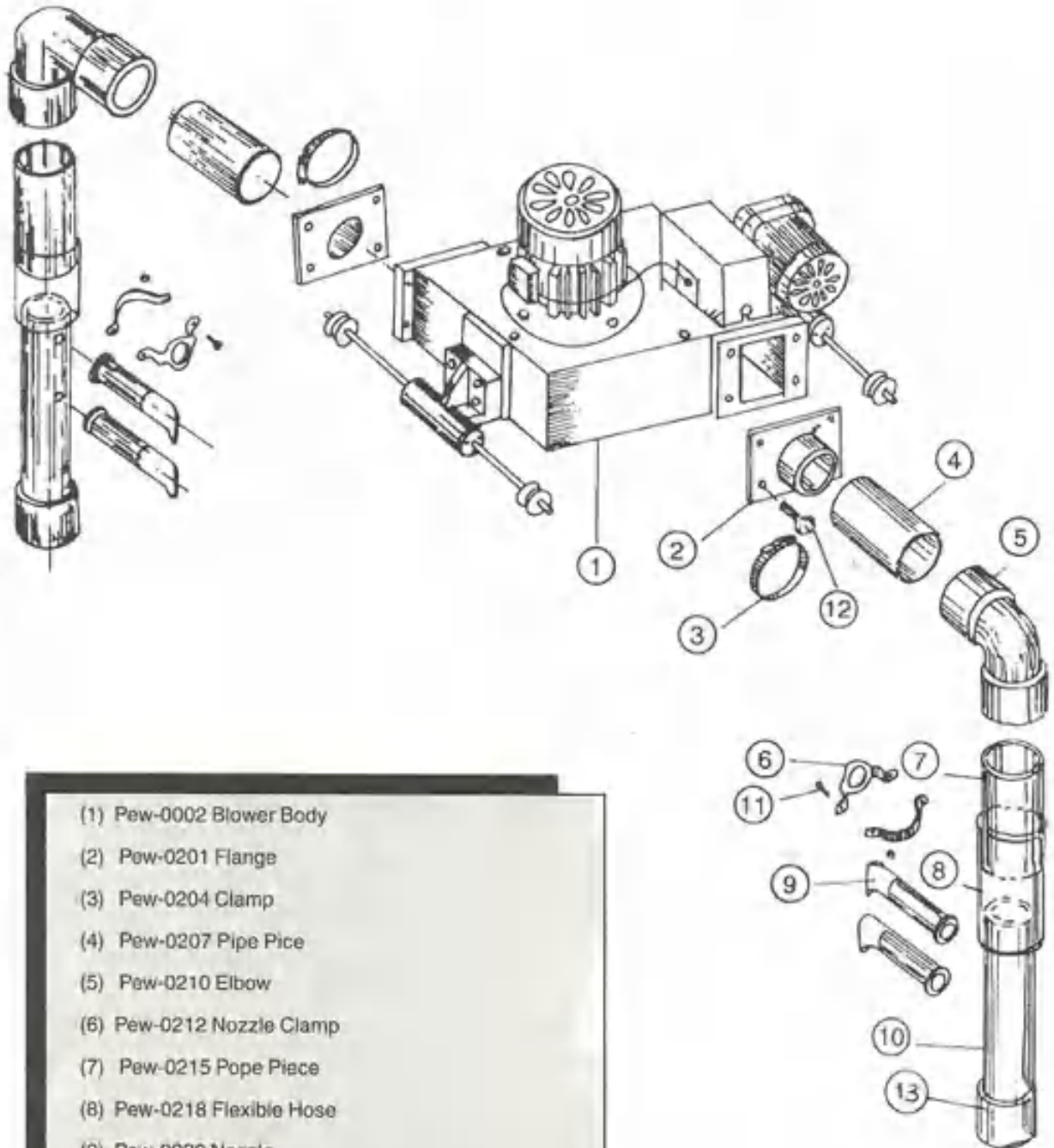
- i) 0.33 H.P. Pilot Motor : This runs the Make & Break Contactor and Conveyor at 32/34 RPM. It is provided with a contactor, over load relay and HRC fuses. Attached to it is the Cam which operates the Make & Break Contactor 32/34 times a minute.
- ii) Make & Brake Contactor : This unique designed Contactor with Silver tipped contacts stops the 3 H.P. Drum Shaft motors 32/34 times a minute for a fraction of a second. This prevents the formation of ribbon in winding.

Never use a file or a sand paper to clean the Silver tips. They must always be wiped clean with a smooth cloth. Also never use oil or grease on same. Always maintain gap between the upper and lower contacts at 0.080".

The position of Cam operating M & B contacts should be adjusted in such a way that drum shaft running at 2200 RPM should not reduce the speed below 1940 RPM.

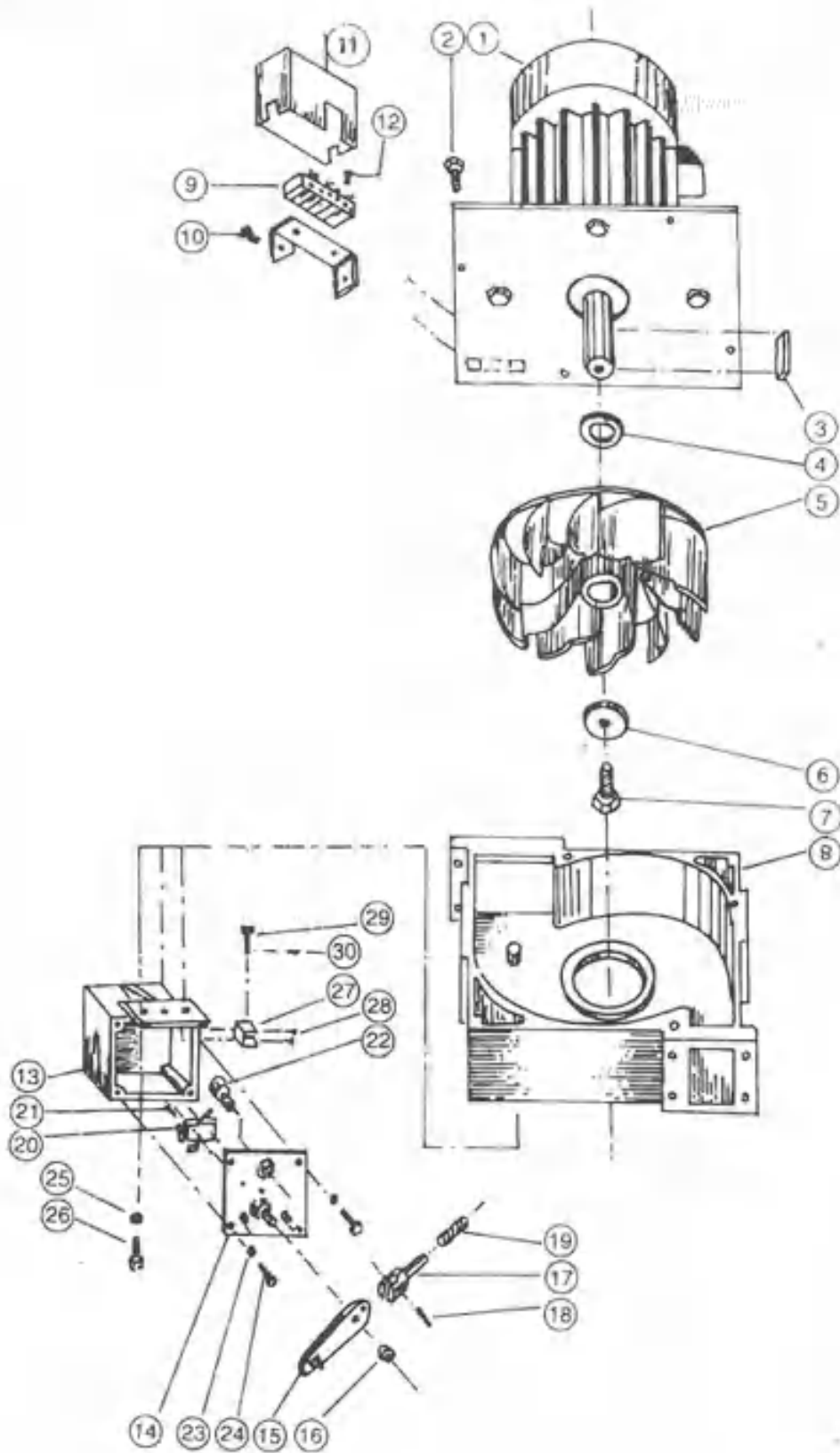
- iii) Travelling Blower : A newly developed To & Fro Over Head Travelling Blower with 110 V electric motor is require proper wiring as per the wiring diagram for sufficient blowing of air and to & fro movement of traveller.
- iv) Protection of motors from overloading : fuses, Relays have been provided wherever possible to protect the motors. If a motor starts on two phase the Q/L Relay trip and stop the motor. Or, if a running motor jams up suddenly and if the Q/L relay fails to function, the fuse will blow off and save the motor. The Q/L Relay must always be set at the correct value to make sure that it functions properly.

BLOWER BODY



- (1) Pew-0002 Blower Body
- (2) Pew-0201 Flange
- (3) Pew-0204 Clamp
- (4) Pew-0207 Pipe Piece
- (5) Pew-0210 Elbow
- (6) Pew-0212 Nozzle Clamp
- (7) Pew-0215 Pipe Piece
- (8) Pew-0218 Flexible Hose
- (9) Pew-0220 Nozzle
- (10) Pew-0222 Pipe Piece
- (11) Pew-0224 Hex Pin with Plain Washer and Nut
- (12) Pew-0226 Hex Pin with Washer
- (13) Pew-0230 End Cap

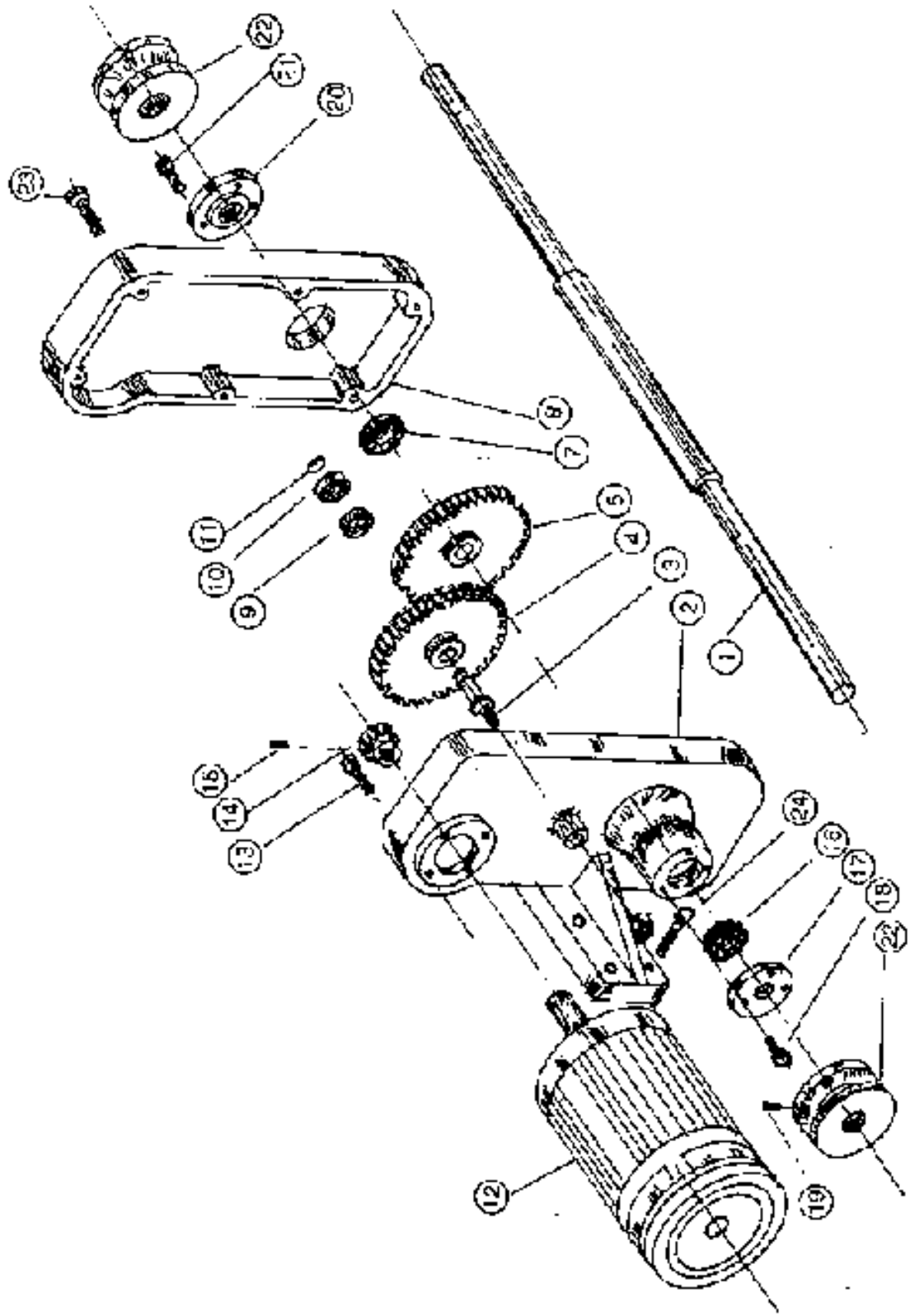
FAN ASSEMBLY



- (1) Pew-014 Blower Motor 110V
- (2) Pew-0018 Hex Pin
- (3) Pew-0016 Key
- (4) Pew-017 Spacer
- (5) Pew-0021 Fan
- (6) Pew-0019 Washer
- (7) Pew-023 Hex Pin
- (8) Pew-0002 Blower Body
- (9) Pew-024 Connection Strip
- (10) Pew-027 Screw
- (11) Pew-029 Relay Cover
- (12) Pew-031 Screw
- (13) Pew-033 Switch Box
- (14) Pew-037 R/F Switch Plate
- (15) Pew-039 R/F Lever
- (16) Pew-041 Stud with Nut
- (17) Pew-043 Pin
- (18) Pew-044 Slotted Pin
- (19) Pew-045 Spring
- (20) Pew-047 Micro Switch
- (21) Pew-049 Screw with Plain Washer & Nut
- (22) Pew-050 Cam Pin
- (23) Pew-053 Spring Washer
- (24) Pew-054 Allen cap Screw
- (25) Pew-057 Spring Washer
- (26) Pew-058 Allen cap Screw
- (27) Pew-0162 Clamp
- (28) Pew-0163 Screw with Spring Washer
- (29) Pew-0164 Pin
- (30) Pew-0165 Cotter Pin



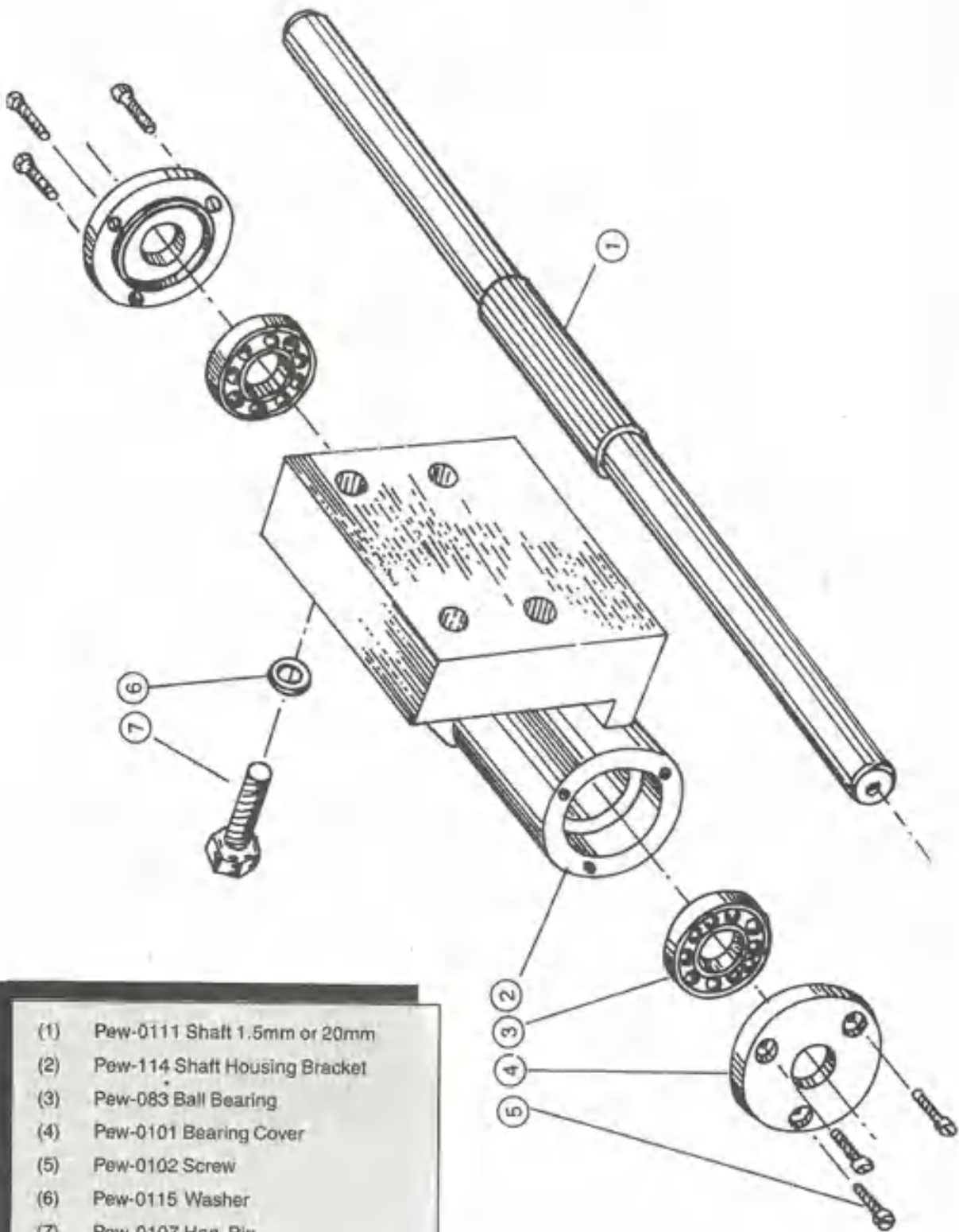
GEAR BOX ASSEMBLY



- (1) Pew-072 Gear Shaft
- (2) Pew-074 Gear Box Body
- (3) Pew-075 Bearing Pin
- (4) Pew-077 Gear with Bearing
- (5) Pew-079 Gear with Collar
- (6) Pew-083 Bearing 6004 ZZ
- (7) Pew-085 Gear Box Cover
- (8) Pew-088 Bearing NK 8112
- (9) Pew-088 Bearing NK 8112
- (10) Pew-089 Circlip
- (11) Pew-092 Gear Box Motor 110V
- (12) Pew-094 Allen Cap Screw
- (13) Pew-096 M.S. Gear
- (14) Pew-098 Dowel
- (15) Pew-083 Bearing 6004 ZZ
- (16) Pew-0101 Bearing Cover
- (17) Pew-0102 Screw
- (18) Pew-0104 Allen Grub Screw
- (19) Pew-0101 Bearing Cover
- (20) Pew-0102 Screw
- (21) Pew-0105 Wheel
- (22) Pew-0106 Allen cap screw with spring Washer
- (23) Pew-0107 Hex Pin with Spring & Plain Washer



BRACKET ASSEMBLY

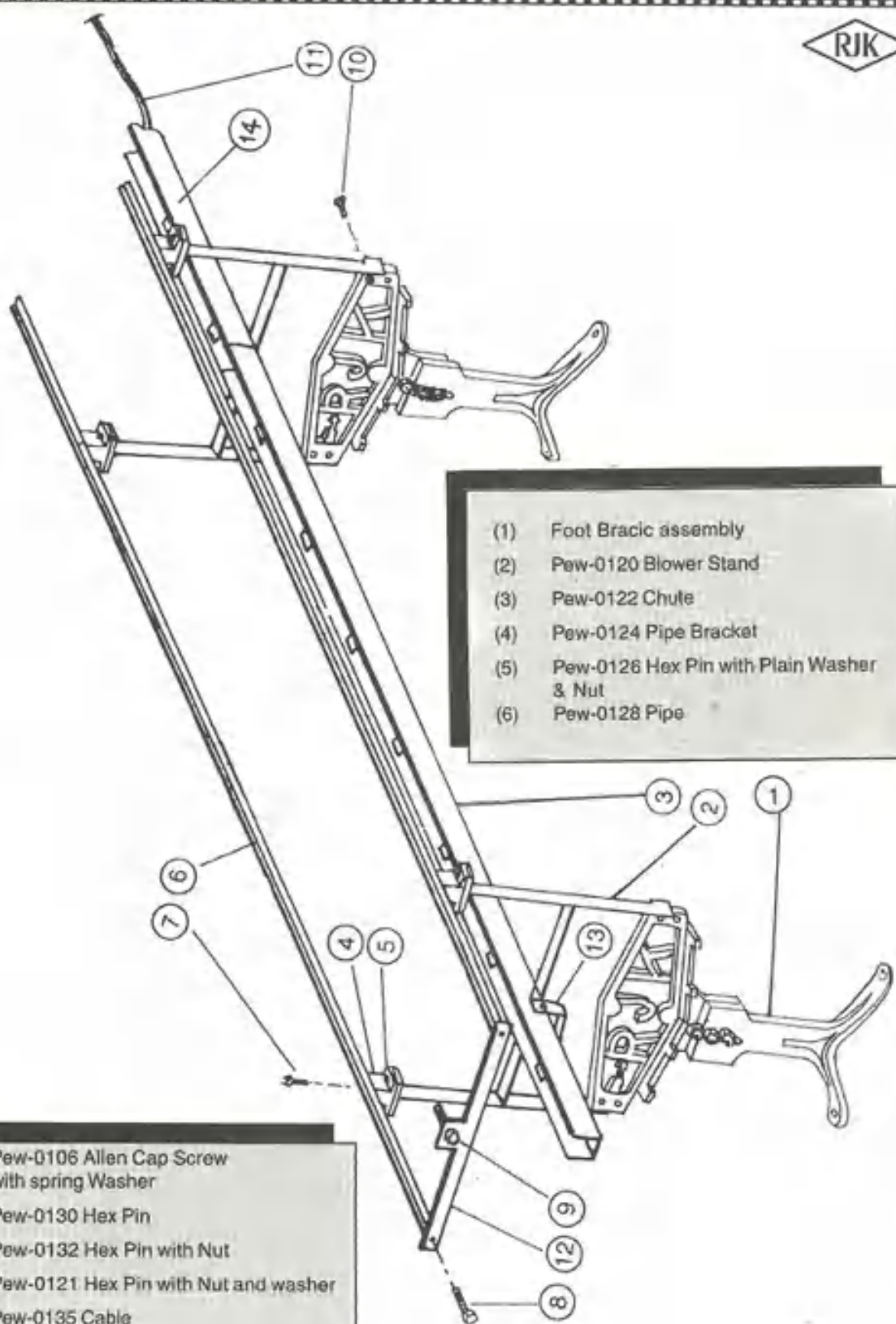


- (1) Pew-0111 Shaft 1.5mm or 20mm
- (2) Pew-114 Shaft Housing Bracket
- (3) Pew-083 Ball Bearing
- (4) Pew-0101 Bearing Cover
- (5) Pew-0102 Screw
- (6) Pew-0115 Washer
- (7) Pew-0107 Hen Pin

Copyright © 2007 by RIK Industries, Inc. All rights reserved. RIK Industries, Inc. is a registered trademark of RIK Industries, Inc. RIK Industries, Inc. is a registered trademark of RIK Industries, Inc. RIK Industries, Inc. is a registered trademark of RIK Industries, Inc.

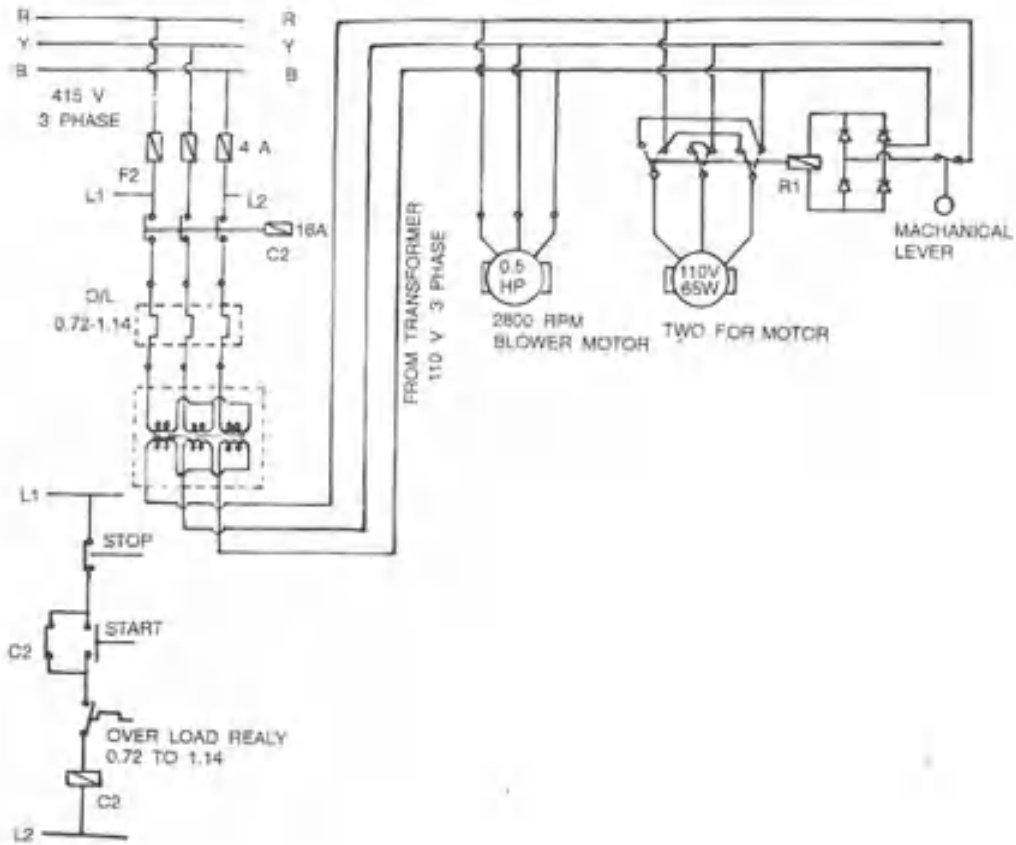


FOOT BRACKET ASSEMBLY - 1

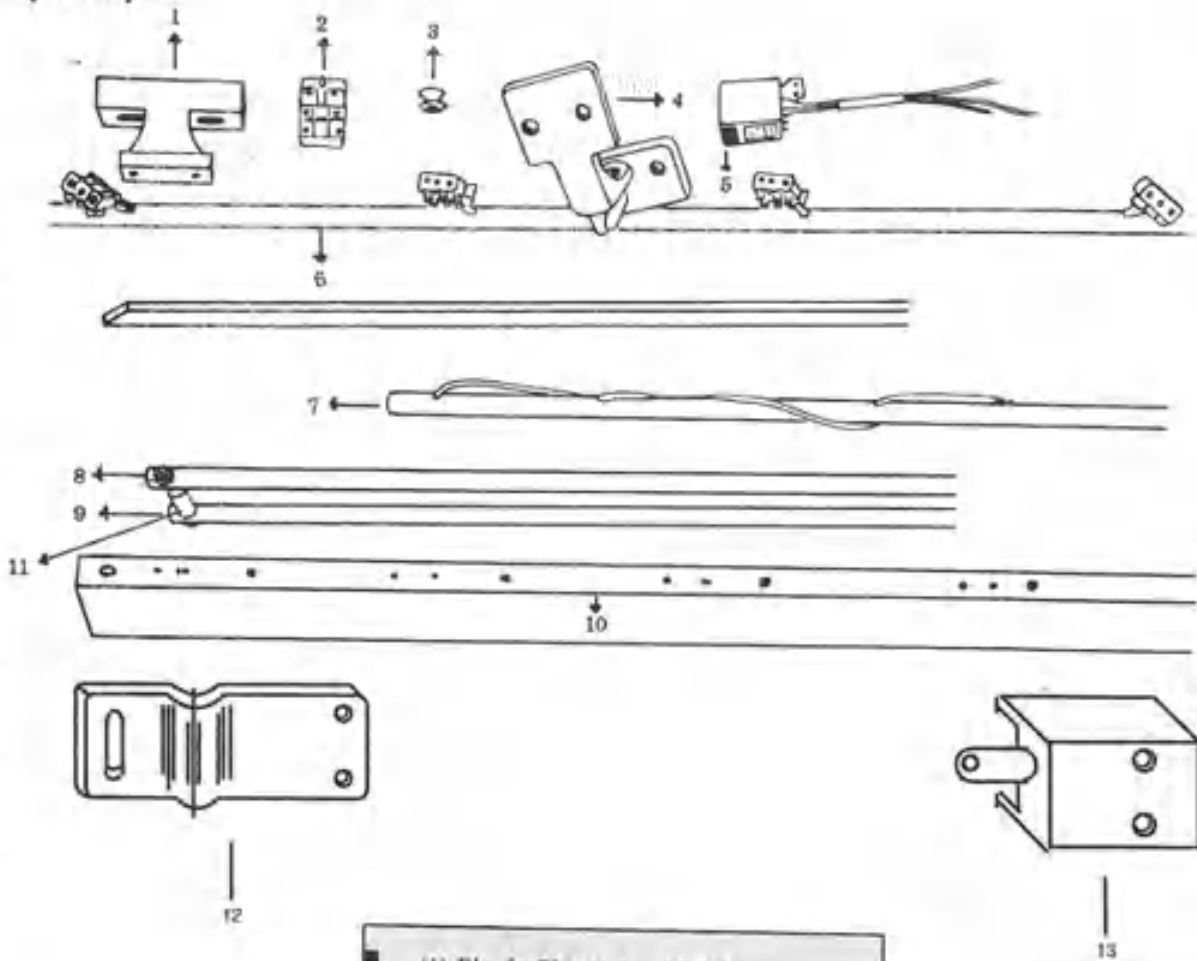


- (1) Foot Bracic assembly
- (2) Pew-0120 Blower Stand
- (3) Pew-0122 Chute
- (4) Pew-0124 Pipe Bracket
- (5) Pew-0126 Hex Pin with Plain Washer & Nut
- (6) Pew-0128 Pipe

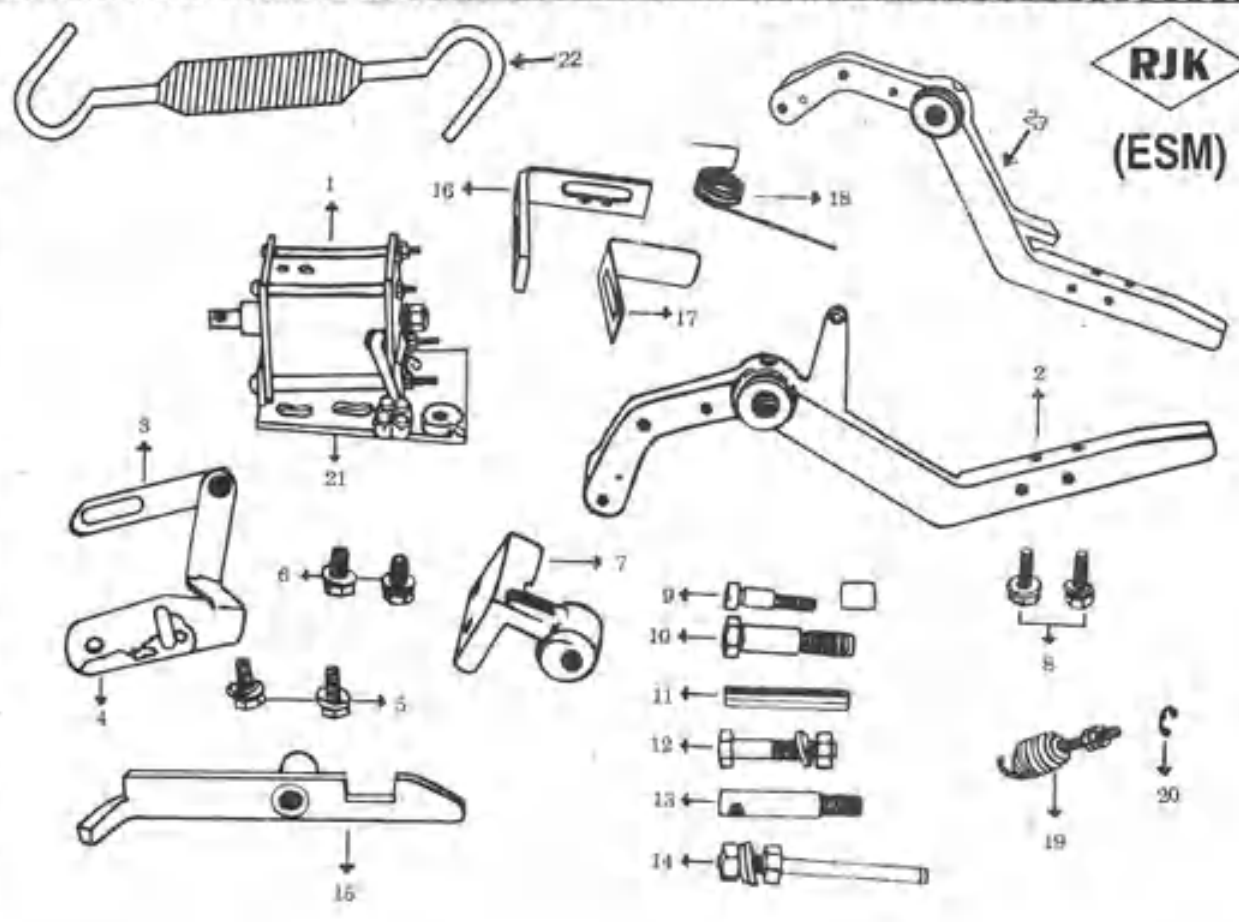
- (7) Pew-0106 Allen Cap Screw with spring Washer
- (8) Pew-0130 Hex Pin
- (9) Pew-0132 Hex Pin with Nut
- (10) Pew-0121 Hex Pin with Nut and washer
- (11) Pew-0135 Cable
- (12) Pew-0141 End Piece
- (13) Pew-0147 Reverse Forward
- (14) Pew-0151 Chute



ELECTRICAL WIRING DIAGRAM FOR TO AND FRO OVER HEAD TRAVELLING BLOWER

RJK**(ESM)**

- (1) Bkt. for Pipe Assly. : 93-445
- (2) Limit Switch I No + INC 93-446
- (3) Gromet : 93-447
- (4) Joining Bkt. : 85-260-EL
- (5) Pla Realy
- (6) Wiring Pipe (PVC) with connection Strip
93-448
- (7) Wiring Pipe for Tension Bkt.: 93-449
- (8) Yarn guide Pipe (HCP) : 93-450
- (9) Tension Pipe Holding Pipe : 93-451
- (10) Channel : 85-103-2X-EL
- (11) Joining Pin
- (12) Switch Mounting Plate
- (13) Limit Switch Cover

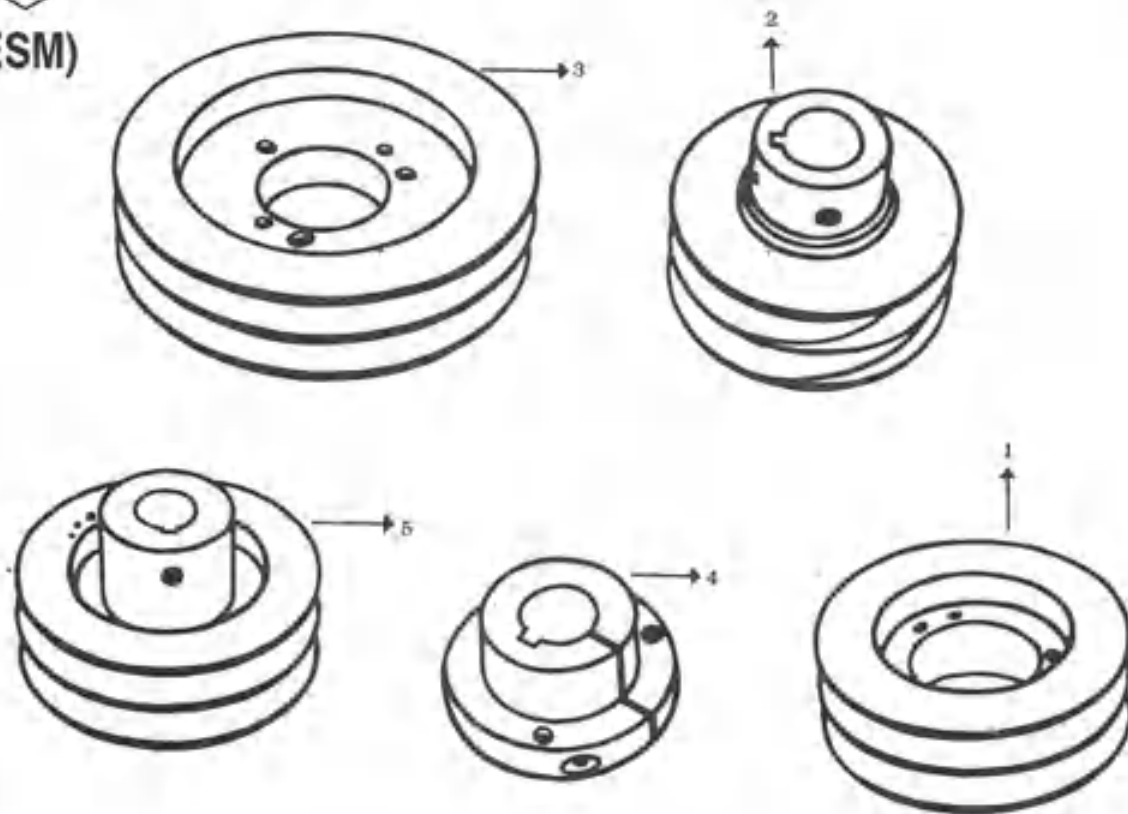


- (1) Magnet : 93-432
- (2) Stop Motion Lever : 85-33-7C3-EL
- (3) Lever for Yarn Lifting wire : 85-1483
- (4) Clamp for Yarn Lifting wire : 85-1484
- (5) Pin & Washer : 93-433
- (6) Pin & Washer : 93-433
- (7) Stop Motion Bkt. : 85-1475
- (8) Pin & Washer : 93-434
- (9) Pin : 85-287
- (10) 16MM Pin : 85-288

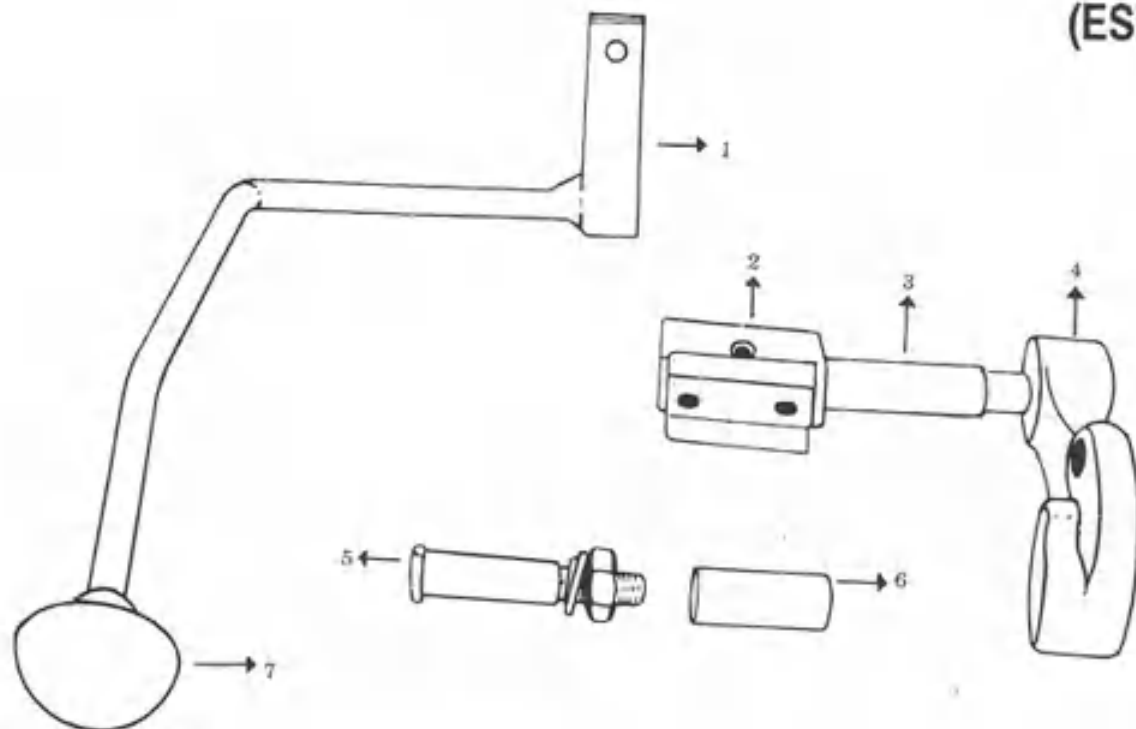
- (11) Roller : 93-435
- (12) Temp. Pin, Nut & Washer : 93-436
- (13) Spring Pin : 93-437
- (14) Temp. Pin, Nut & Washer : 93-438
- (15) Plunger : 93-439
- (16) Lock Clamp : 93-440
- (17) Temp. Clamp : 93-441
- (18) Spring : 93-442
- (19) Spring : 85-1485 (Old)
- (20) E Clip : 93-443
- (21) Magnet Plate : 93-444
- (22) Spring for Stop Motion Lever : 85-1485
- (23) Stop Motion Lever : 85-33-7C3-EL (New)

RJK

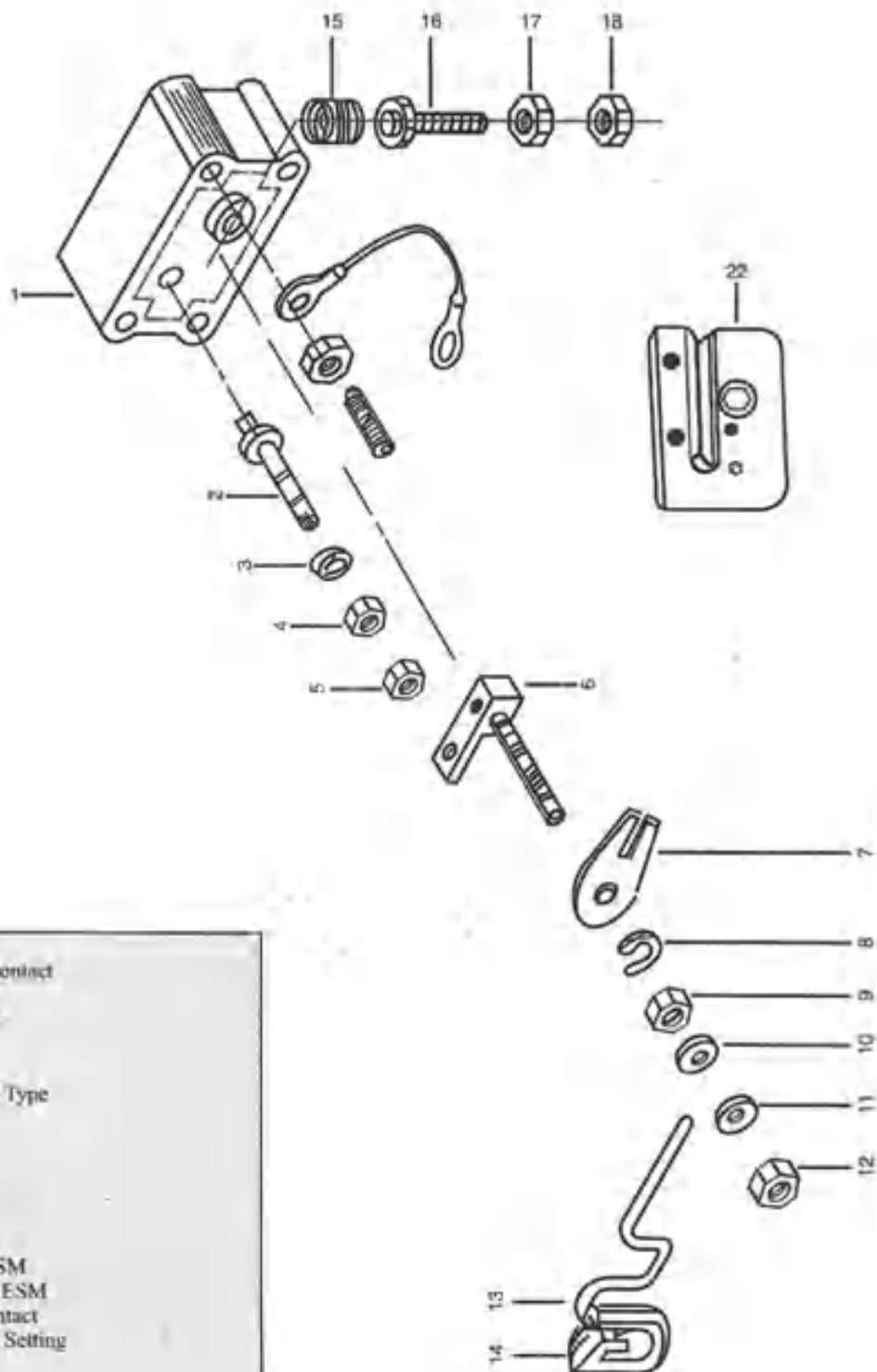
(ESM)



- (1) Motor Pulley 450 YPM
(130 mm Ø)
- (2) Motor Pulley 350 YPM
(100 mm Ø)
(24 mm Hole / 28 mm Hole)
- (3) Motor Pulley 350 YPM
(170 mm Ø)
- (4) Motor Pulley Bush
(24 mm Ø / 28 mm Ø)
- (5) Traverse Pulley 'B'
(125 mm Ø)

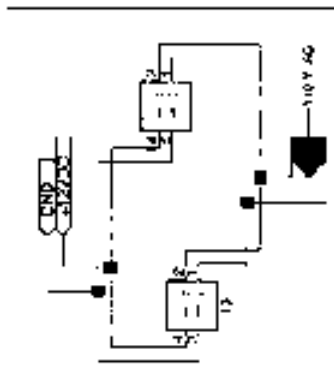


- (1) Starting Handle : 85-28-24X-EL.
- (2) Starting Handle Bkt.: 85-290-EL.
- (3) Starting Handle Lever Pin : 85-292-EL.
- (4) Starting Handle Weight Lever : 85-291-EL.
- (5) Rollar Pin, Nut & Washer : 85-292-2PN-EL.
- (6) Roller M.S. : 85-292A-EL.
- (7) Bakelite Knob : 85-32-7

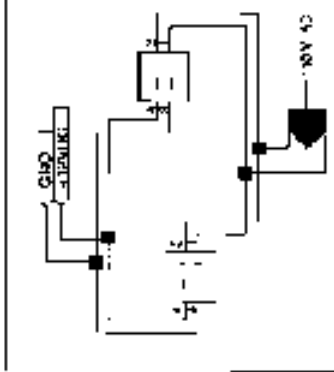


- (1) Housing For Contact
- (2) Contact Pin
- (3) Spring Washer
- (4) Nut
- (5) Nut
- (6) Contact Pin 'L' Type
- (7) Lug
- (8) Circlip
- (9) Nut
- (10) Washer
- (11) Washer
- (12) Nut
- (13) Drop Wire - ESM
- (14) Ceramic Eye - ESM
- (15) Spring For Contact
- (16) Pin For Spring Setting
- (17) Nut
- (18) Nut
- (19) Wire With Lugs
- (20) Nut
- (21) Pin
- (22) Slab Catchre (Dabbi)

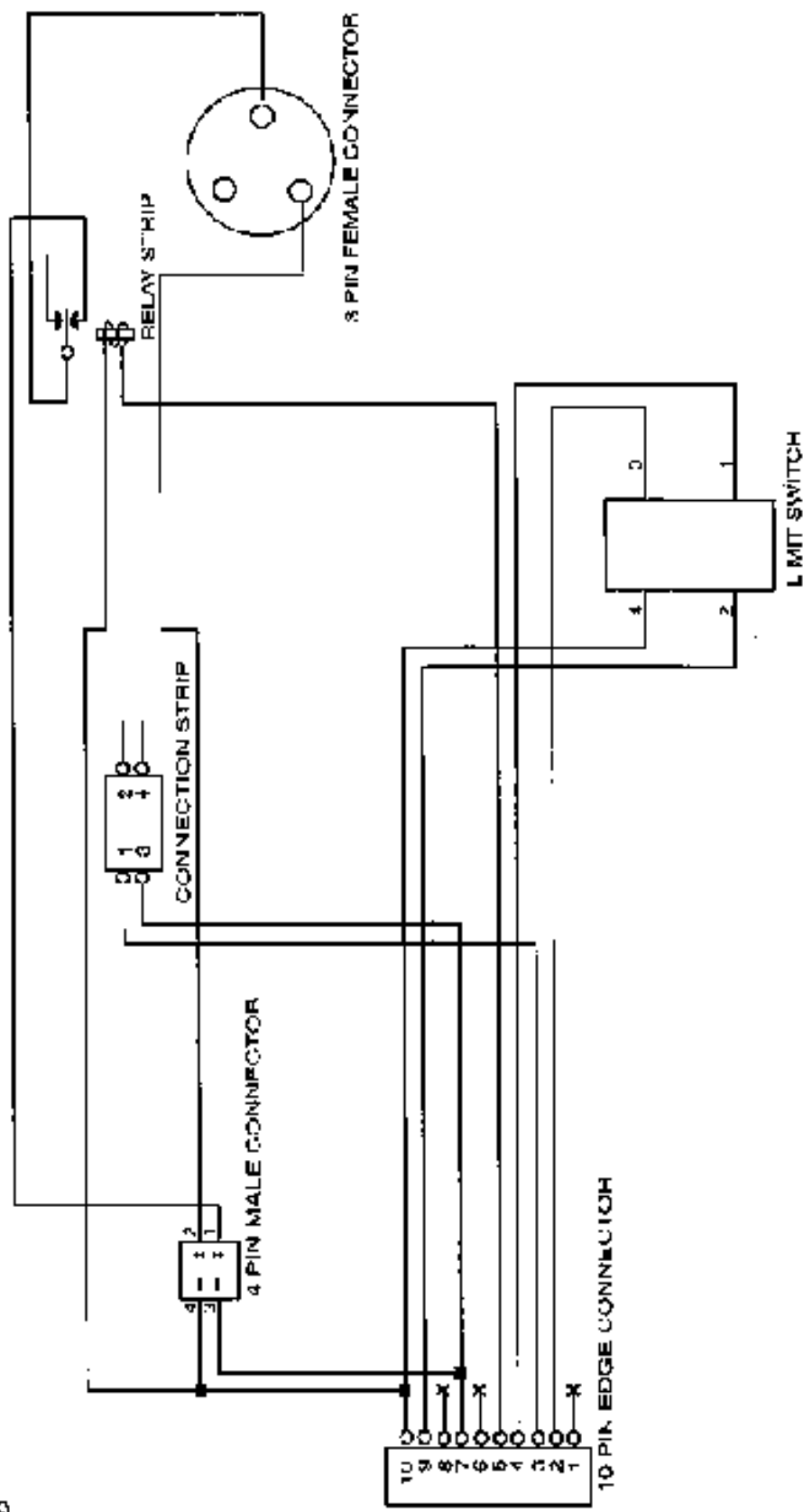
www.indianrailways.gov.in



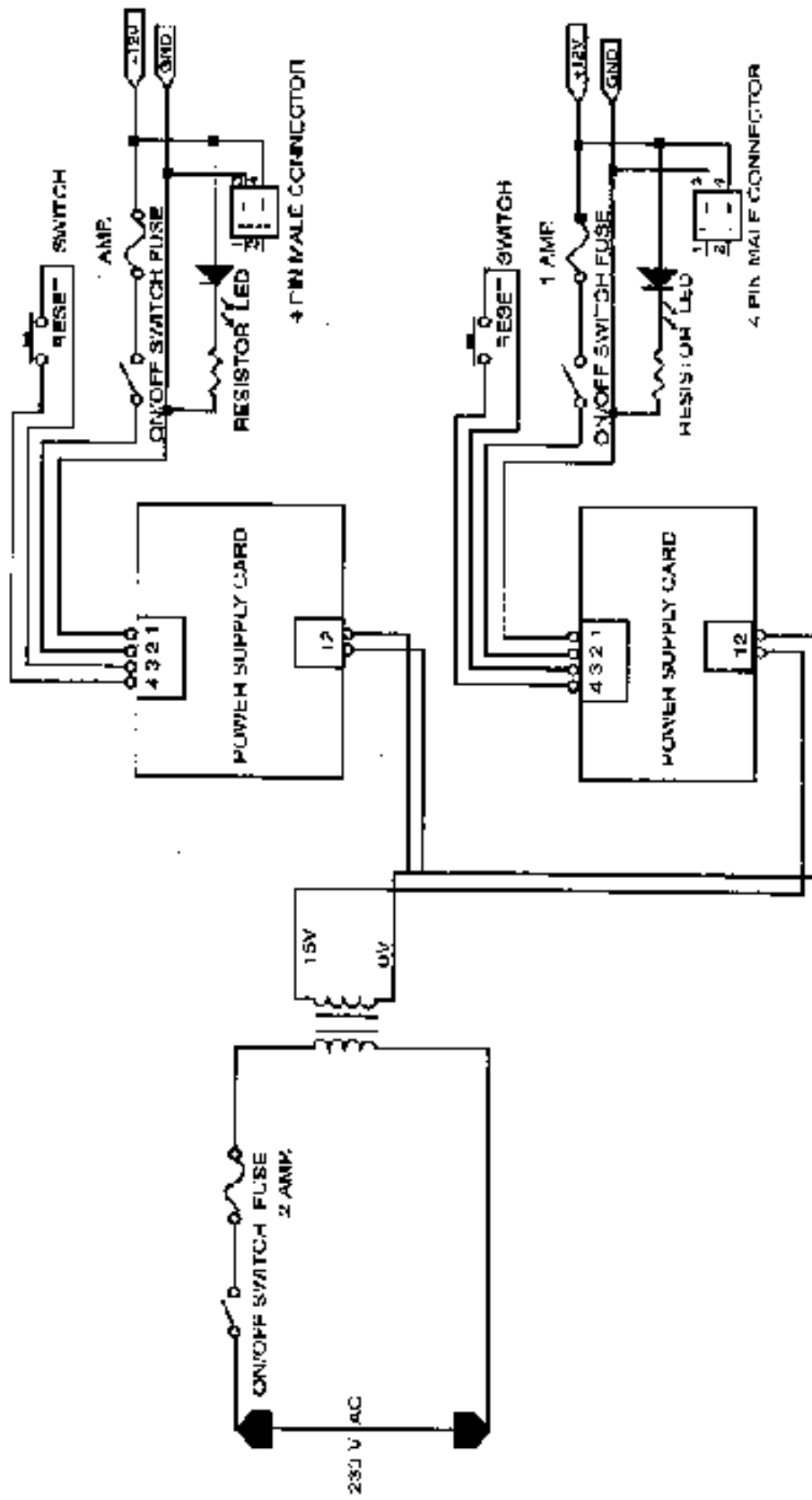
- 9
- 8
- 7
- 6
- 5
- 4
- 3
- 2



RIK MACHINE PRODUCTS 38, G.V.M.M IND. ESTATE, COHAY ROAD, AHMEDABAD			
WIRING DIAGRAM FOR STOP MOTION CHANNEL			
SIZE	FSDM NO.	DWG NO.	REV
A		EM-1	
SCALE		SHEET	



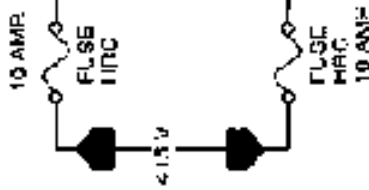
RIK MACHINE PRODUCTS			
98 GANPATI INC. ESTABL.			
20-47 ROAD, AHMEDABAD			
WIRING DIAGRAM FOR STOP MOTION BOX			
SUP A	FSCM INC.	DWG NO. SM-2	REV
SCALE			8-EET



RJK MACHINE PRODUCTS
 38, G. V. M. IND. ESTATE,
 OCHAU ROAD, AHMEDABAD

WIRING DIAGRAM FOR POWER SUPPLY BOX

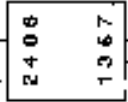
SIZE	PS-01	NO	001	REV
A				
SCALE				SHEET



110 V
TRANSFORMER

5 5 5
1 2 5

MCB



CONNECTION STRIP

SECTION 2
SECTION 2
SECTION 1
SECTION 1

RJK MACHINE PRODUCTS
38, GYM MIND STRTF.
110-40V BOARD, AMMERSBAU

WIRING DIAGRAM FOR 110 V AC SUPPLY

SUP- A	FSCM NO.	DWG NO. SM-4	REV
	SCALE		SHEET

RJK DOUBLER WINDER



FAULT FINDING OF ELECTRONICS STOP MOTION

Stop Motion for individual spindle is not working :

1. Check the working of RELAY. It is working properly but stop motion is not working

-110 VAC Power supply or 3 pin female plug on stop motion box for the particular spindle

-Check continuity of wire between Relay & Magnet

2. If RELAY is not working.

-Check + 12 V DC supply on 4 Pin female plug (Between pin 3 & 4) on channel for the spindle

-Replace PCB with Spare PCB.

-Check connection between Pcb & Relay.

3. Stop motion for spindle is faulty working.

Clean up connection of Micro switch.

-Check wiring of Micro switch as well as Yarn switch.

-Replace pcb with spare pcb.

4. Stop motion set of 20 spindles are not working.

-Check fuse of Main power supply box.

-Check connection from Main power supply box to channel.



POWER SUPPLY UNIT

1. 12V DC SUPPLY

- First of all switch on 230V Ac supply and 12V Dc Supply

-Check 12V DC supply on 4 pin plug (Between Pin 3 & 4). If it is not present then check all switches, fuses, & also check 230V AC on X'former Primary side 15 V A C on X' former Secondary side. If all this components are in working condition then check the 12V DC card.

2. 110V AC SUPPLY.

-Check HRC fuse 140V AC on X' former's primary side & 110V AC on X'former's Primary side.

-Check MCB switches & 110V AC on connector strip.

STOP MOTION CARD.

-Check 12V DC supply on 4 pin plug.

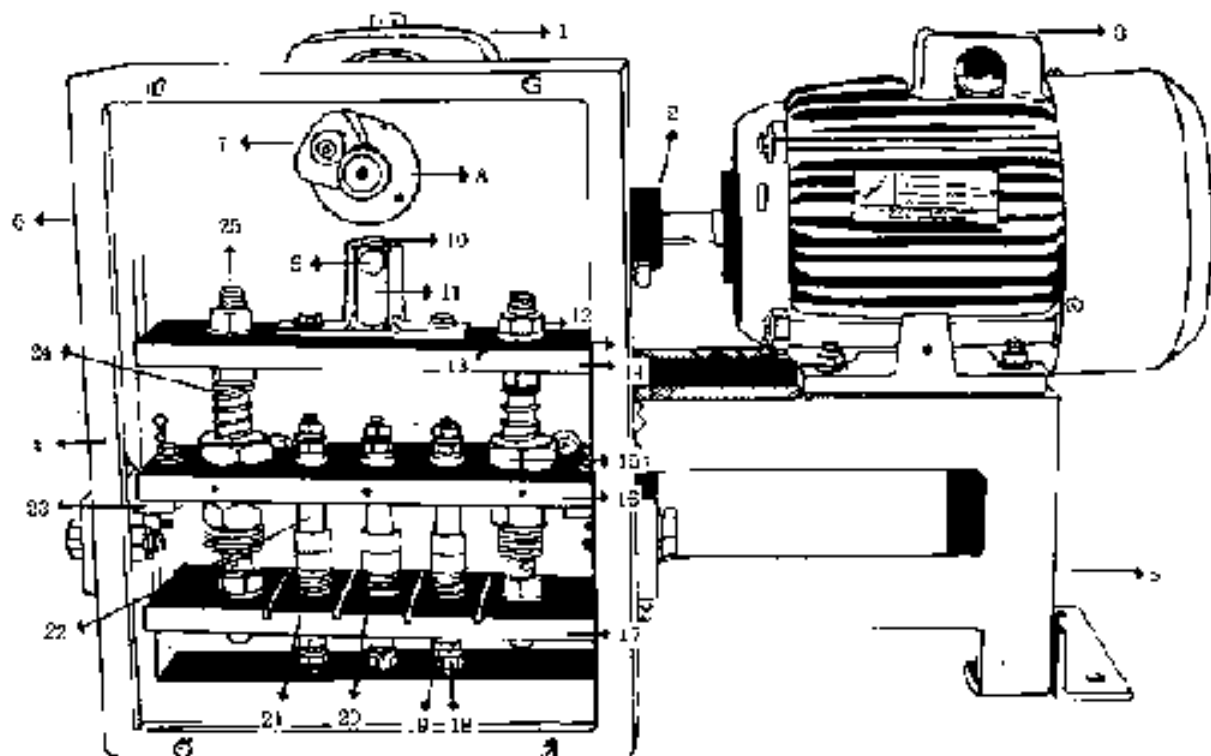
-Check 12V DC supply between pin No. 7 & 10 of 10 pin connector inside the stop motion box as shown in wiring diagram. (SM-2)

-Press the Limit Switch & close the yarn switch, at that time the relay is operated in every five second interval. Now open all yarn switches, at that time relay should be off & it indicates the yarn running condition.

-When relay is on, 110V Ac supplied to the magnet & magnet is operated. If magnet is not operated then check 110V Ac supply on 4 pin plug on box. If the 110V Ac is present check the magnet coil.



OLD RIBBON BREAKER UNIT



- (1) Reduction Gear Box
- (2) Coupling : RMP ES-44
- (3) Electric Motor : 0.25 H.P.
- (4) Ribbon Retractor Part : ES-17F
- (5) Stand
- (6) Cover
- (7) Steel Cam Piece
- (8) Cam for Contactors
- (9) Bearing Pin For Cam
- (10) Cam Bearing
- (11) Cam Bearing Holding Bolt.
- (12) Nut for M.S. Stud
- (13) Washer for M.S. Stud

- (14) M.S. Piece
- (15) Guide Collar
- (16) Upper Fibre Plate
- (17) Lower Fibre Plate
- (18) Nut for Contacts
- (19) Washer for Contacts
- (20) Spring for Moving Contact
- (21) Moving Silver Contact
- (22) Fixed Silver Contact
- (23) Angle for Fixing Contactors
- (24) Spring for 1/2" M.S. Stud
- (25) 1/2" M.S. Stud